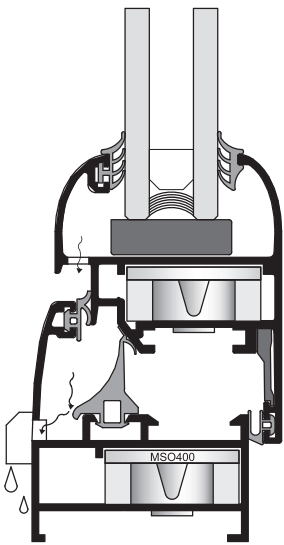




M940 MINI  
Hinged Systems

**M940 Mini**

**The smallest and lightest product line  
For "tilt-and-turn" frames**



**Basic characteristics:**

- √ 37 mm sash width
- √ "ALUSEAL" perimetrical sealing system, with three levels of EPDM gaskets.
- √ Supports all "tilt-and-turn" typologies.
- √ Cooperates perfectly with the M900 Aero for sliding frames.
- √ Supports single or double glazing, from 10 to 26 mm.

**PROFILE TECHNICAL SPECIFICATIONS**

Extruded Alloy	AlMgSi (EN AW 6063)
Hardness	12 Webster or 70 HB minimum
Minimum Powder Coating Thickness	75µm minimum
Profile Thickness (min-max)	1,1 – 1,4 mm
Profile Geometry Control	EN DIN 12020-2 Compliant

**PRODUCT LINE TECHNICAL CHARACTERISTICS**

Width for basic frame / sash	37 / 44 mm
Glazing Type	Single or Double, from 10 to 26 mm
Glazing Weight	Up to 130 Kg per sash
Sealing	"ALUSEAL" perimetrical sealing system, with three levels of EPDM gaskets


**Construction options:**


- √ One or two-sash doors and windows, with or without shutters.
- √ Main entrances.
- √ Profile for angular constructions and other special applications.
- √ Perfect cooperation with Alumil's M900 Aero for sliding frames.

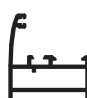
**Certifications:**


- √ The design, the production process, and the quality control of all profiles produced by Alumil are certified with ISO 9001.
- √ The process of electrostatic powder coating is certified by QUALICOAT and RAL (GSB) in all plants operated by Alumil.


PROFILE No/Profile No Weight (gr/m) X mm Y mm

 M 977  
591 37,00  
46,60


 M 007  
842 54,50  
46,60

 M 947  
733 42,00  
46,60


 M 957  
733 42,00  
58,60


 M 952  
789 49,00  
71,60


 M 978  
1064 66,50  
55,90


 M 941  
762 44,00  
63,10

PROFILE No/Profile No Weight (gr/m) X mm Y mm


 M 992  
970 44,00  
90,90

 M 993  
806 44,00  
56,10



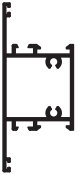


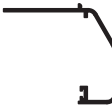


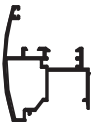
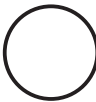
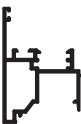



 M 962  
773 44,00  
56,10


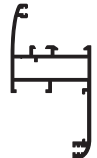


 M 974  
770 37,00  
61,00

 M 975  
979 44,00  
85,60

 M 965  
802 37,00  
75,10

 M 966  
988 44,00  
90,90

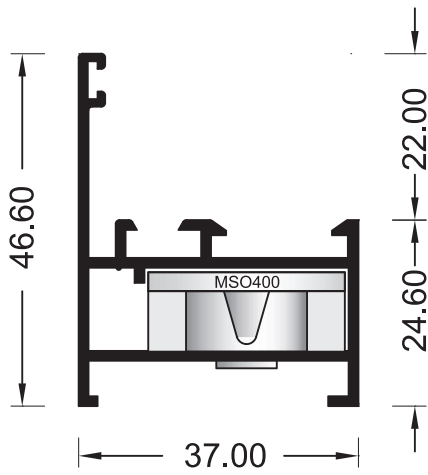
PROFILE	No/Profile No Weight (gr/m)	X mm Y mm	PROFILE	No/Profile No Weight (gr/m)	X mm Y mm
	M 953 776	37,00 67,80		M 946 229	19,63 26,60
	M 954 979	37,00 89,00		M 969 259	21,50 26,60
	M 950 1248	37,00 127,20		M 6000 523	59,60 50,00
	M 955 1286	37,00 120,00		M 9416 411	48,30 50,00
	M 944 771	45,30 61,00		T 50 577	50,00 50,00
	M 964 740	40,35 61,00		M 976 317	42,00 24,30
	M 945 273	21,50 26,60		M 971 595	31,70 50,00

PROFILE	No/Profile No Weight (gr/m)	X mm Y mm
	M 9358 800	10,00 124,50
	M 994 904	42,00 81,60
	M 009 1109	54,50 81,60
	M 777 332	46,09 38,70

**M 977**

W = 591 gr/m

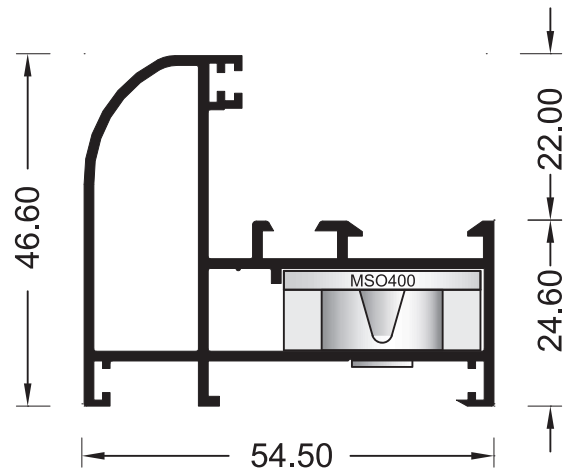
**FRAME**



**M 007**

W = 842 gr/m

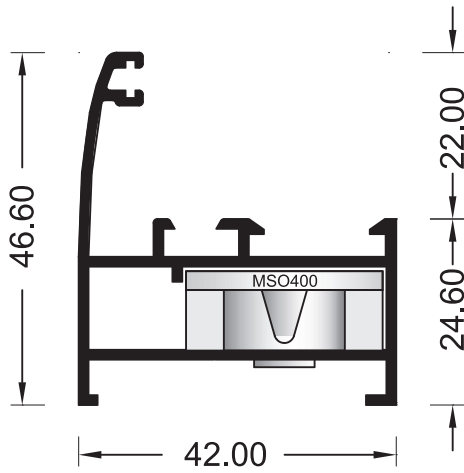
**FRAME**



**M 947**

W = 733 gr/m

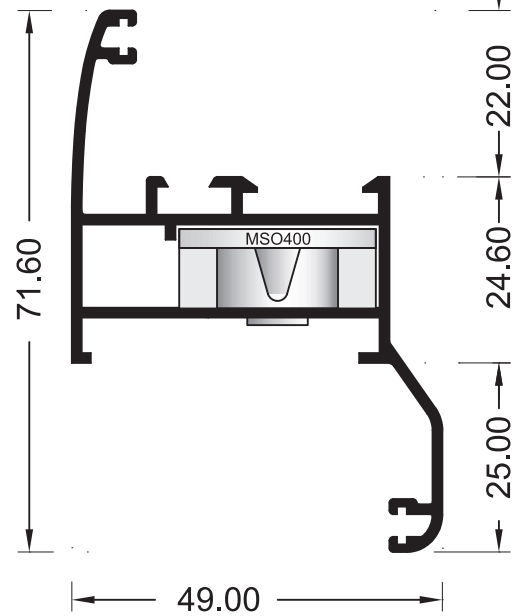
**FRAME**



**M 952**

W = 789 gr/m

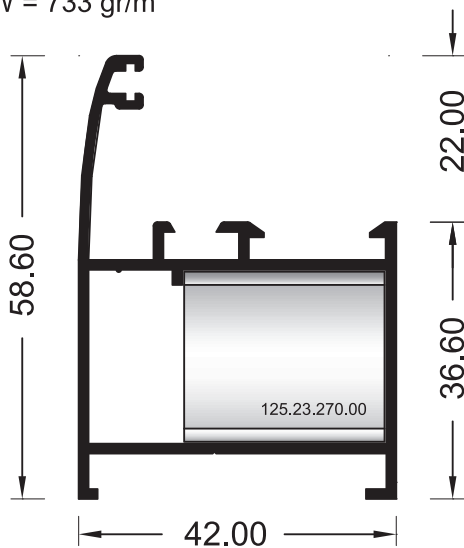
**FRAME  
WITH ARCHITERAVE**



**M 957**

W = 733 gr/m

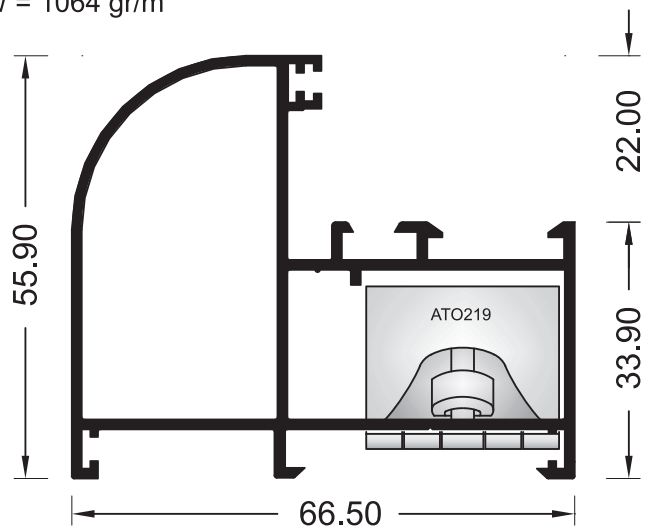
**FRAME**



**M 978**

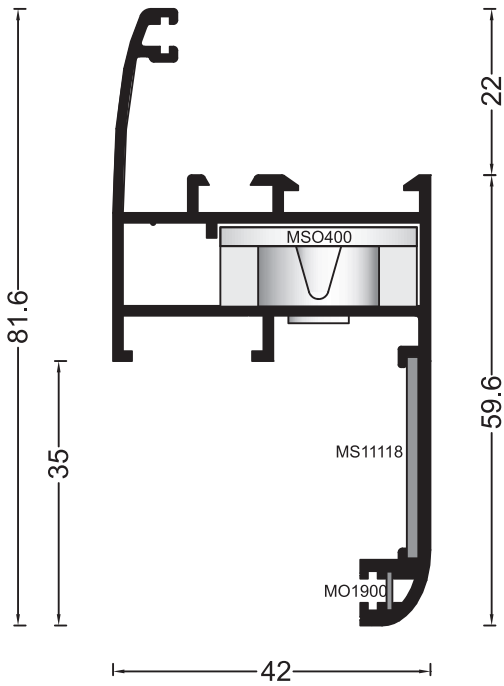
W = 1064 gr/m

**FRAME**



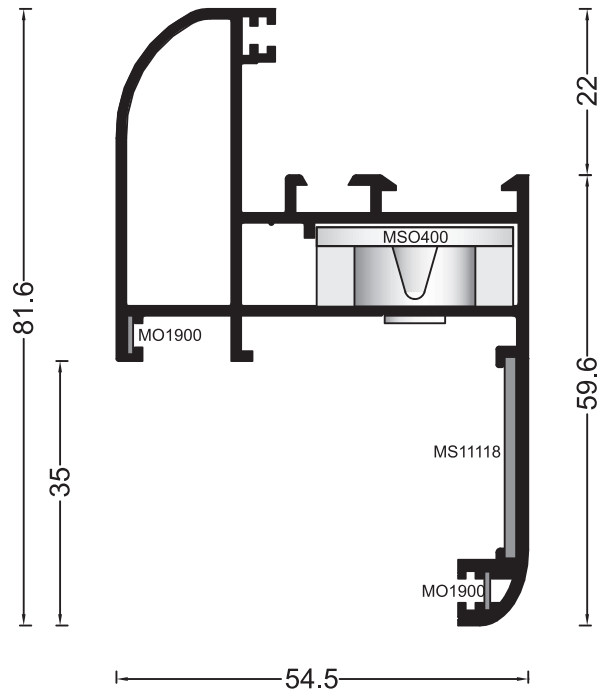
**M 994**  
W = 904 gr/m

**FRAME**  
WITH ARCHITERAVE



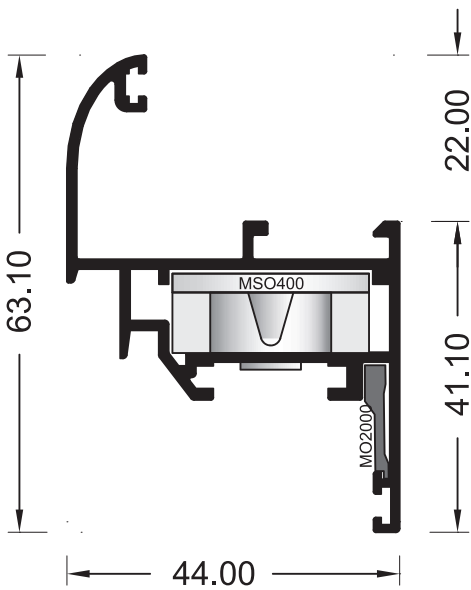
**M 009**  
W = 1109 gr/m

**FRAME**  
WITH ARCHITERAVE



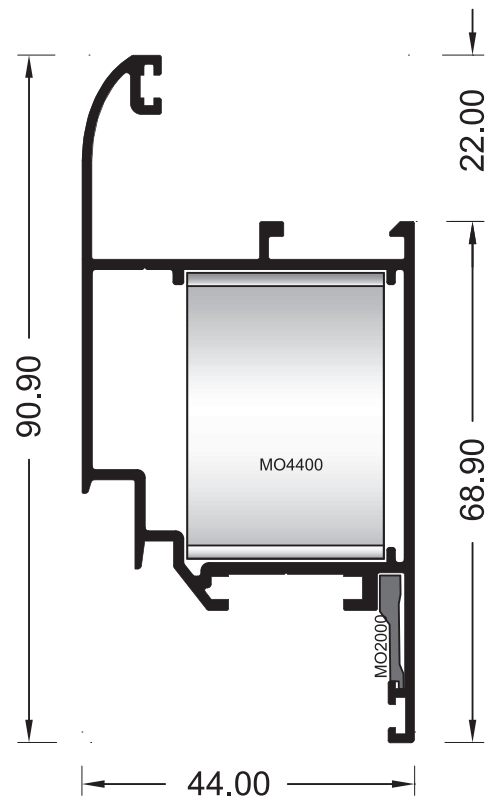
**M 941**  
W = 762 gr/m

**SASH**  
SMALL

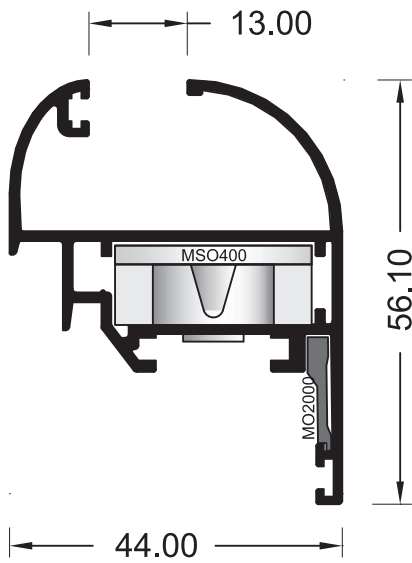


**M 992**  
W = 980 gr/m

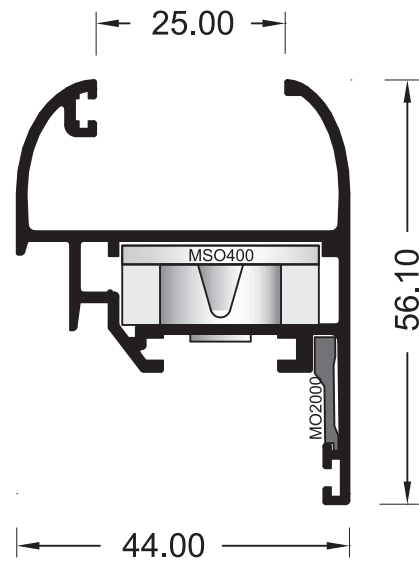
**SASH**  
BIG



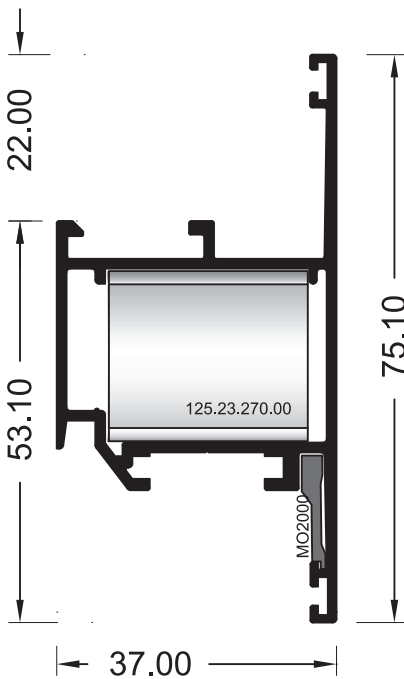
**M 993** **SASH**  
W = 806 gr/m **FOR SINGLE GLAZING**



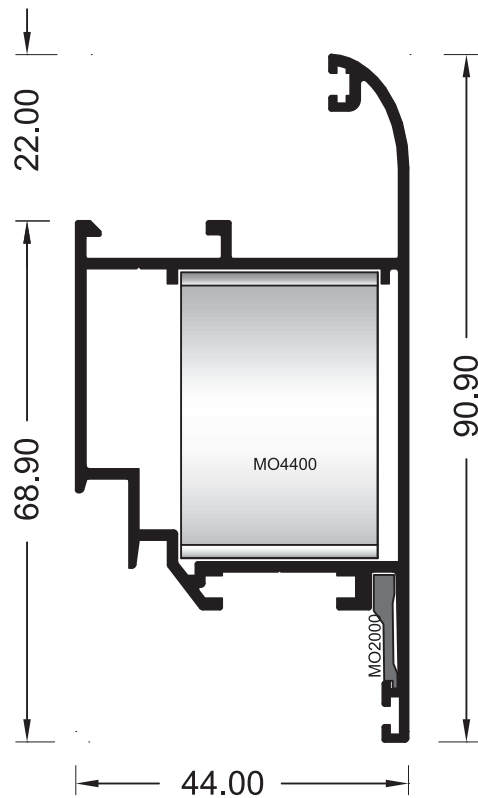
**M 962** **SASH**  
W = 773 gr/m **FOR DOUBLE GLAZING**



**M 965** **SASH**  
W = 802 gr/m **SMALL OPENING OUTSIDE**



**M 966** **SASH**  
W = 988 gr/m **BIG OPENING OUTSIDE**

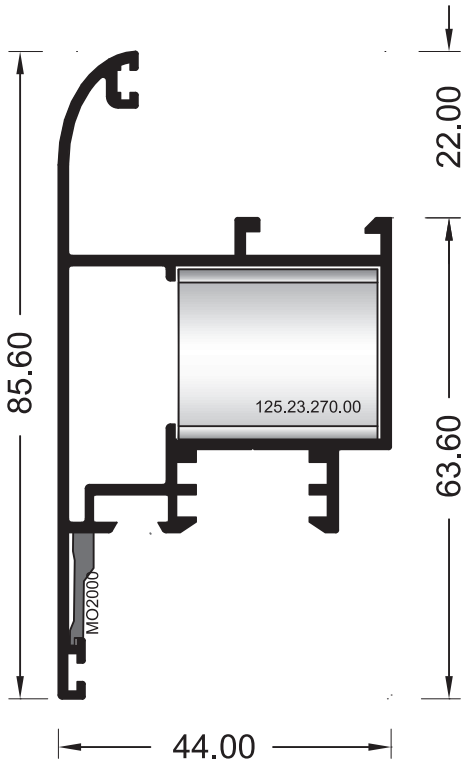




**M 975**

W = 979 gr/m

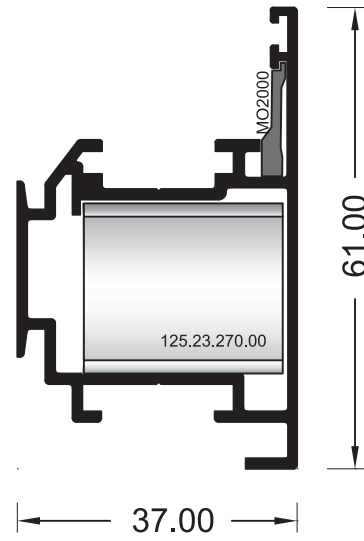
**SASH  
PIVOTING**



**M 974**

W = 770 gr/m

**SASH  
ADJOINING PIVOTING**

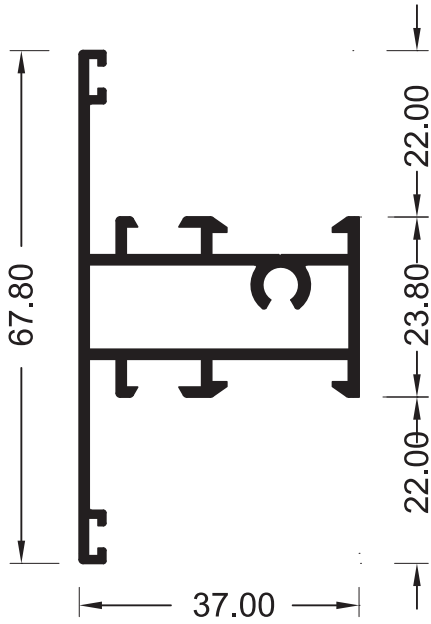


**M 953**

W = 776 gr/m

**TRANSOM**

SMALL

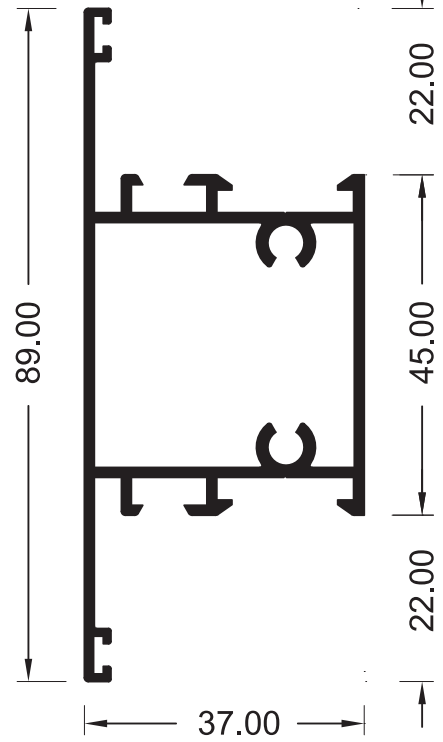


**M 954**

W = 979 gr/m

**TRANSOM**

MEDIUM

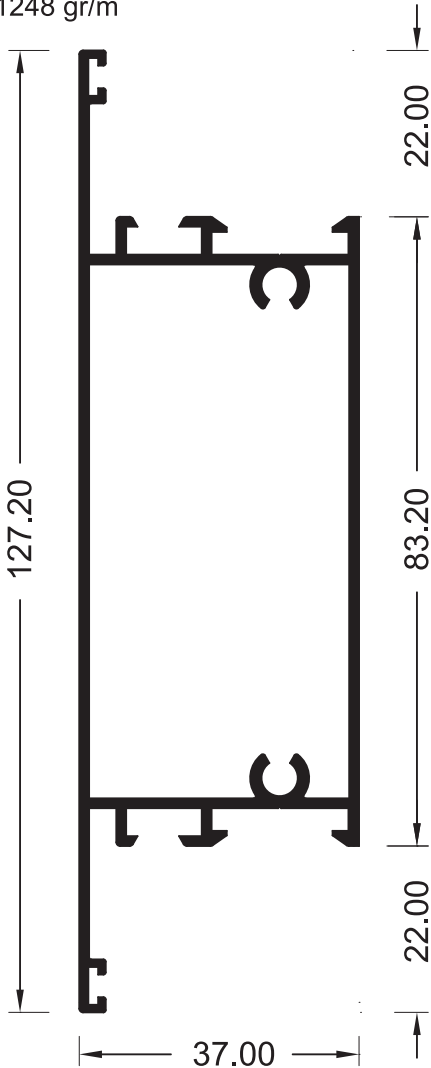


**M 950**

W = 1248 gr/m

**TRANSOM**

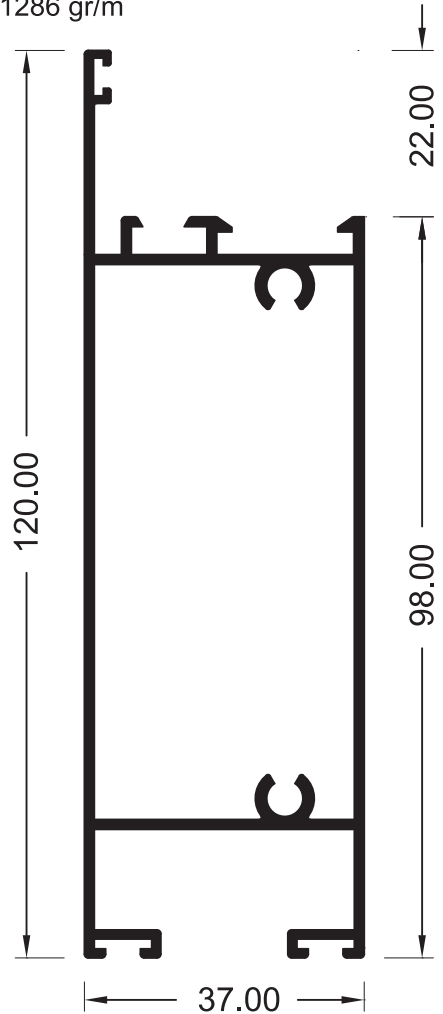
BIG



**M 955**

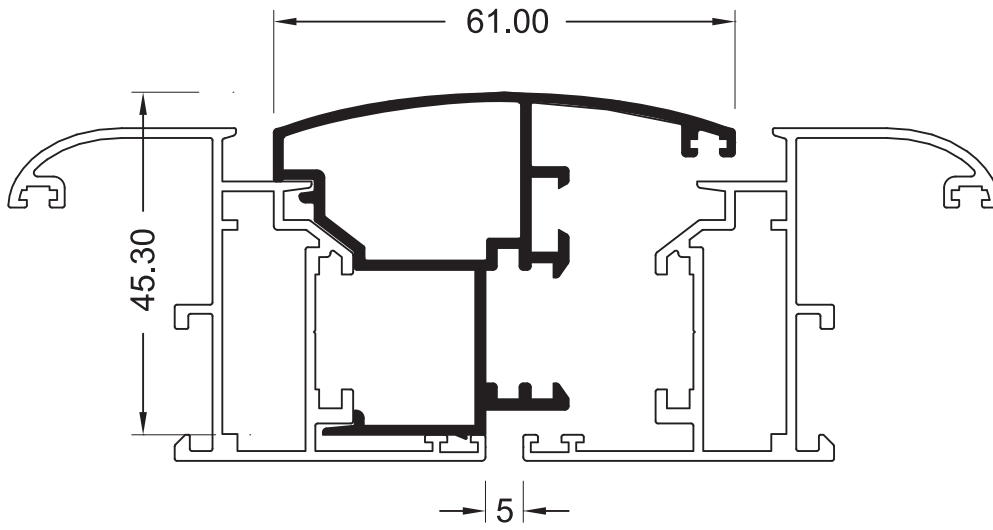
W = 1286 gr/m

**SASH SILL**



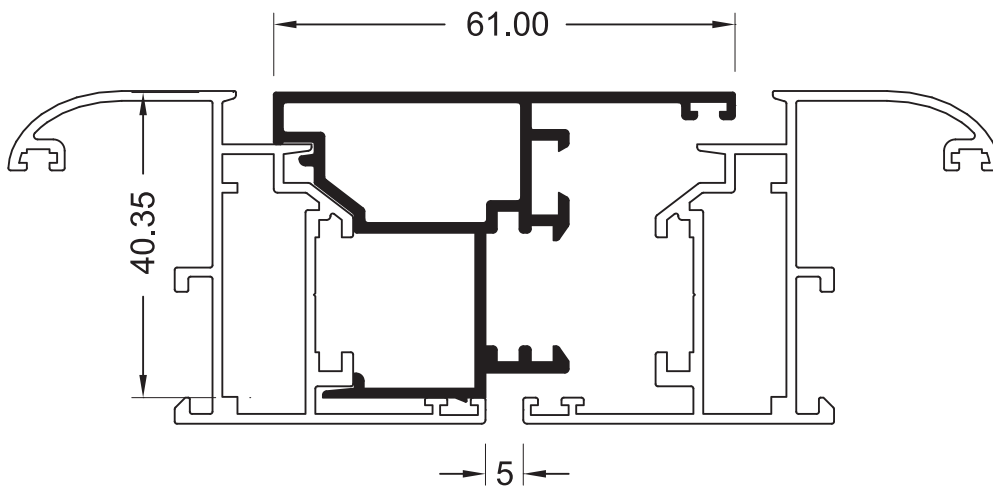
**M 944**  
W = 771 gr/m

**ADJOINING PROFILE**  
ROUND



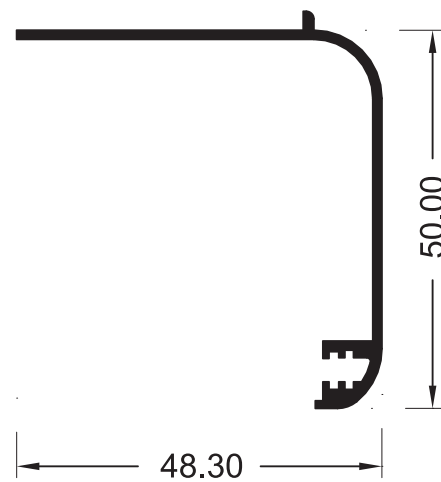
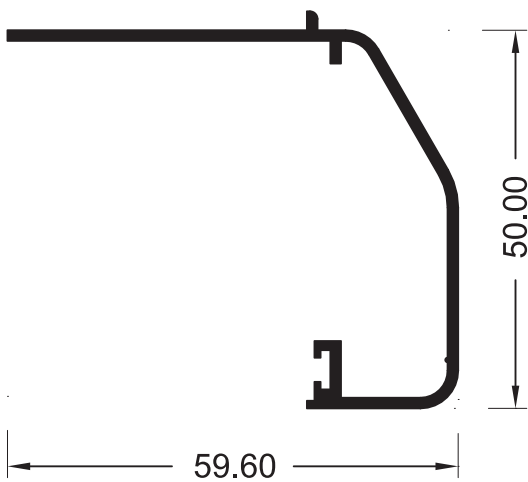
**M 964**  
W = 740 gr/m

**ADJOINING PROFILE**



**M 6000** ARCHITRAVE  
W = 523 gr/m

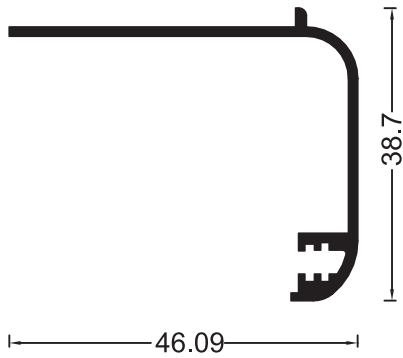
**M 9416** ARCHITRAVE  
W = 411 gr/m



**M 777**

**ARCHITRAVE**

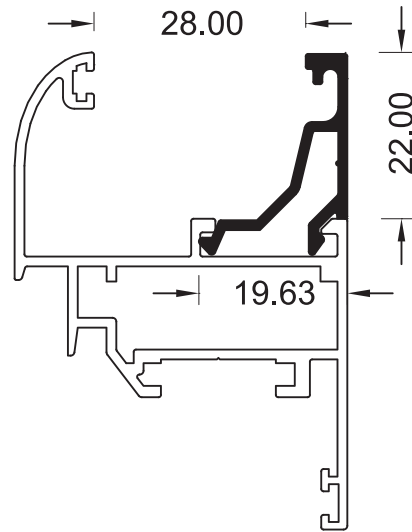
W = 332 gr/m



**M 946**

**GLAZING BEAD  
FOR DOUBLE GLAZING**

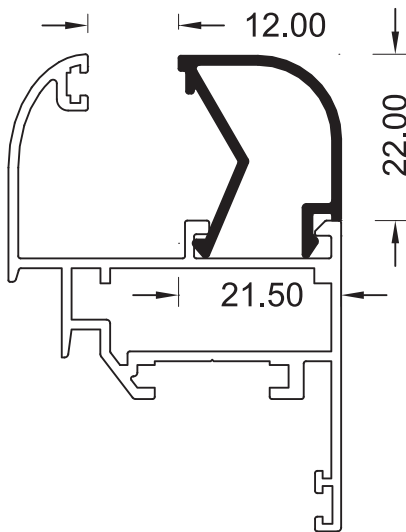
W = 229 gr/m



**M 969**

**GLAZING BEAD  
FOR SINGLE GLAZING-ROUND**

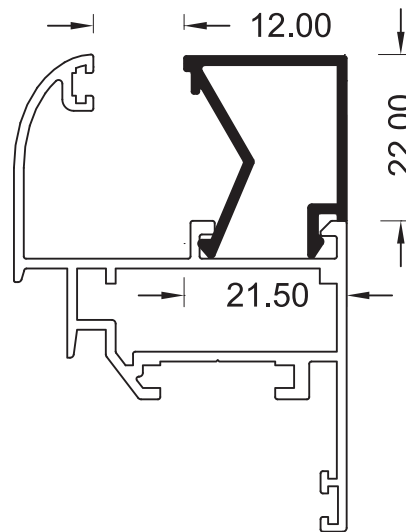
W = 259 gr/m



**M 945**

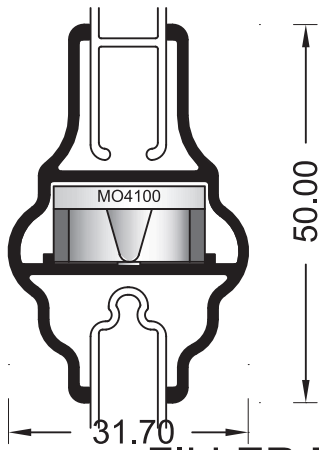
**GLAZING BEAD  
FOR SINGLE GLAZING**

W = 273 gr/m



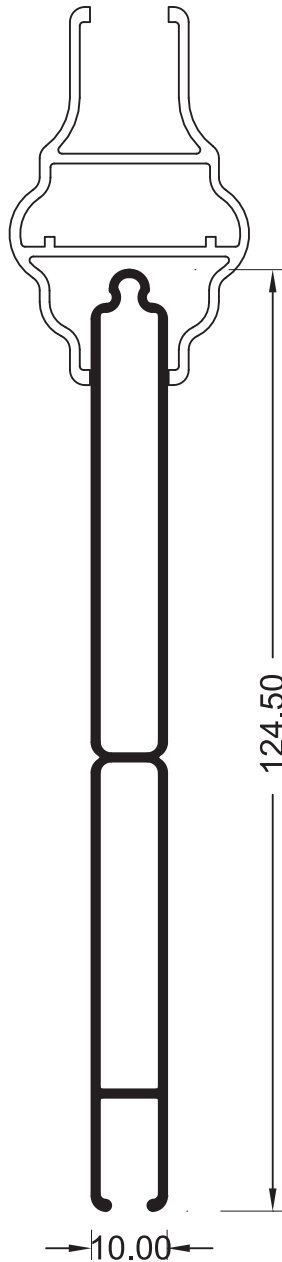
**M 971 DECORATING PROFILE**

W = 595 gr/m



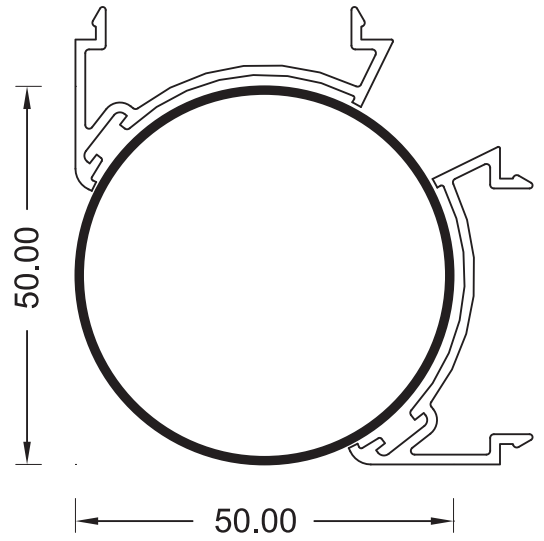
**M 9358 FILLER PROFILE**

W = 800 gr/m



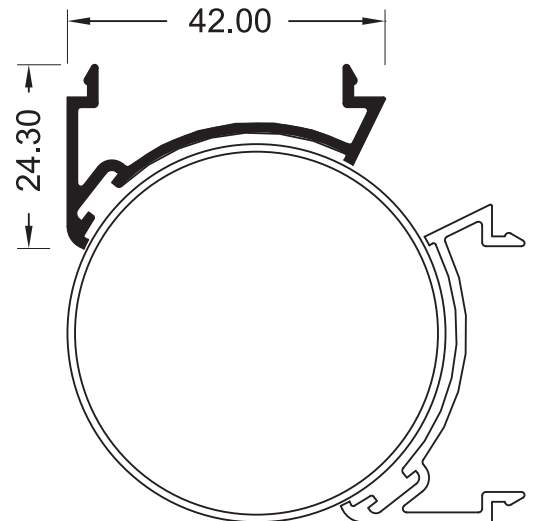
**T 50 TUBE**

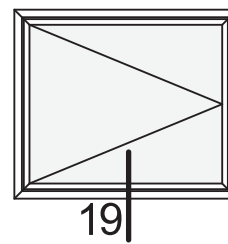
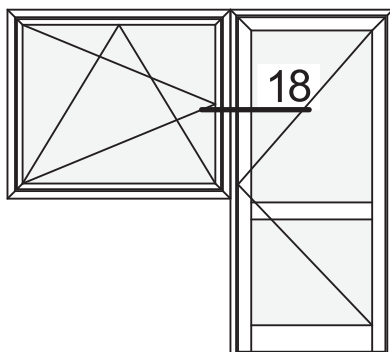
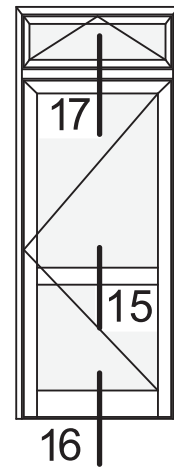
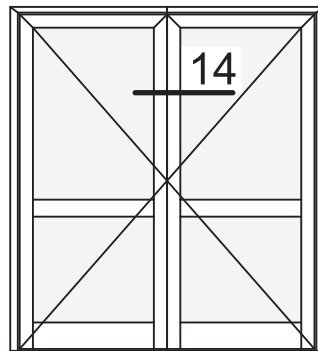
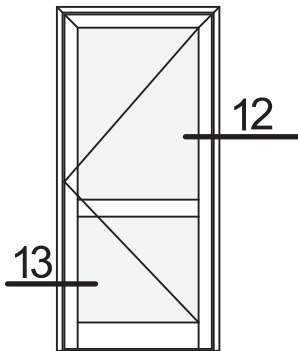
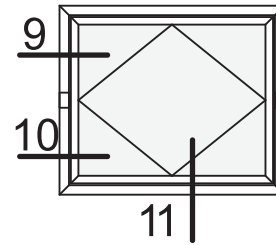
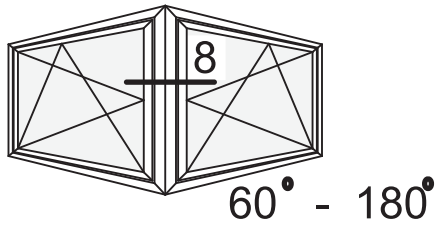
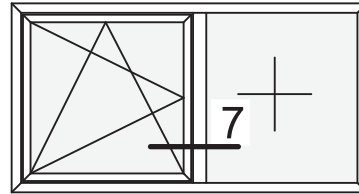
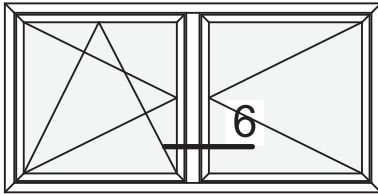
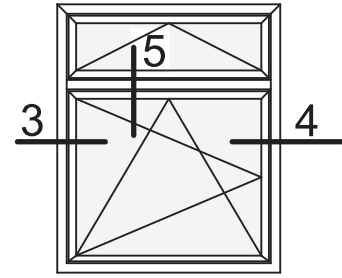
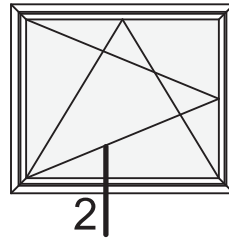
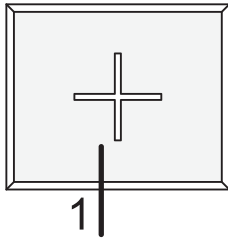
W = 577 gr/m

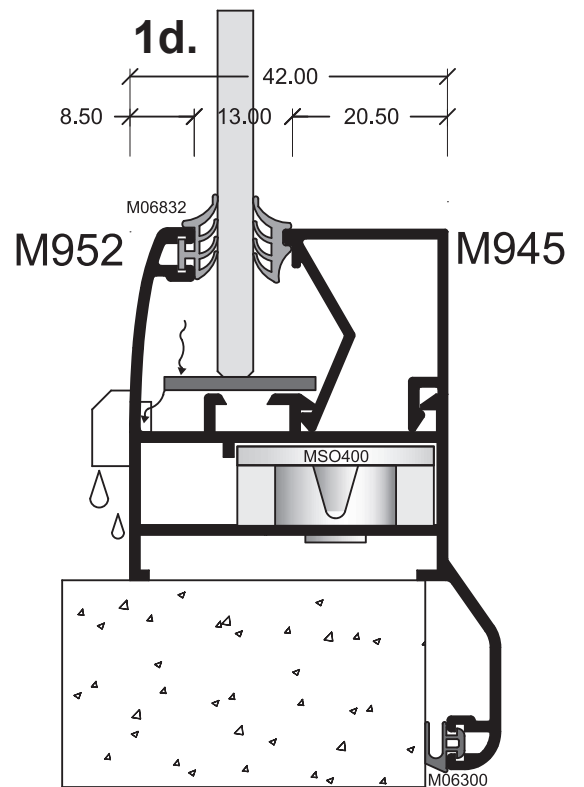
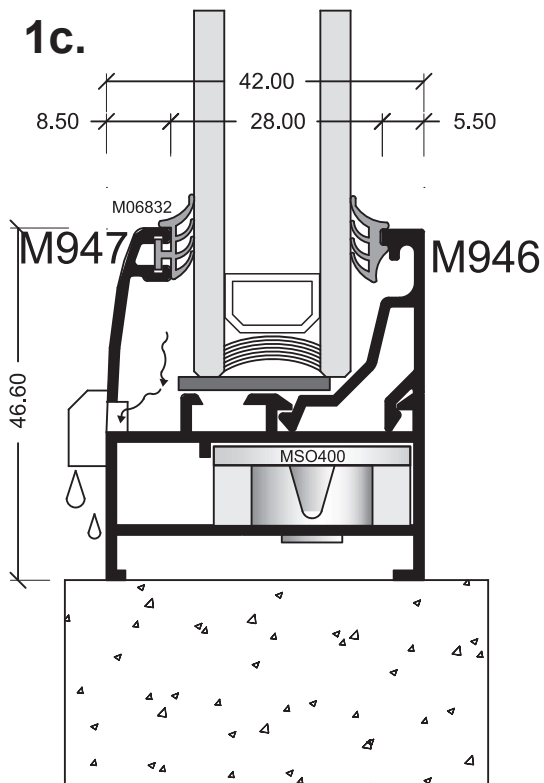
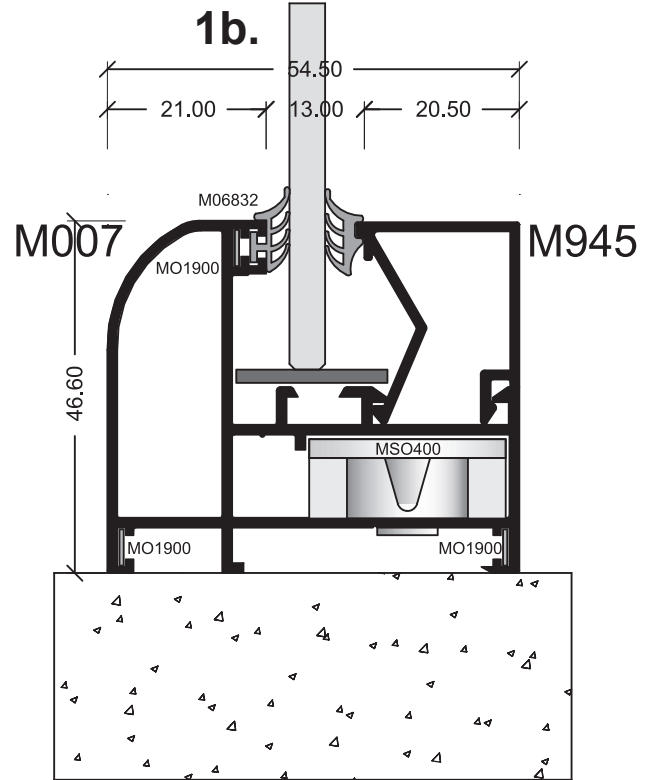
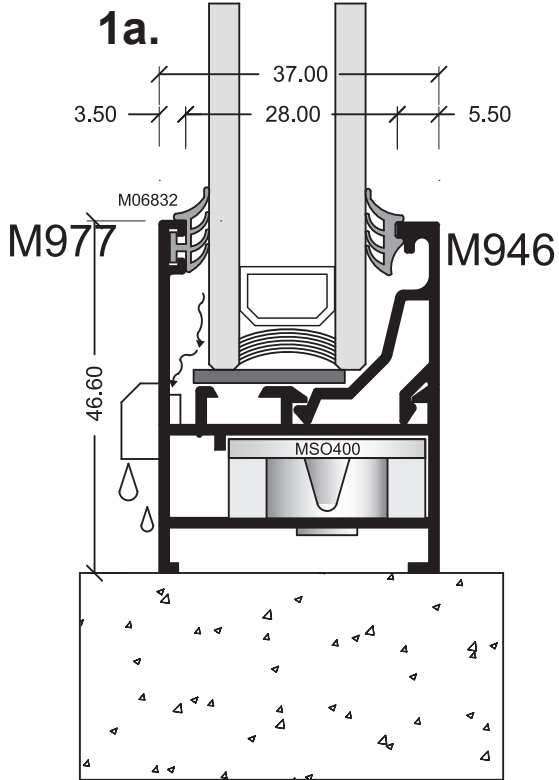
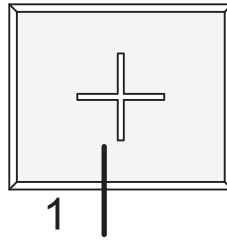


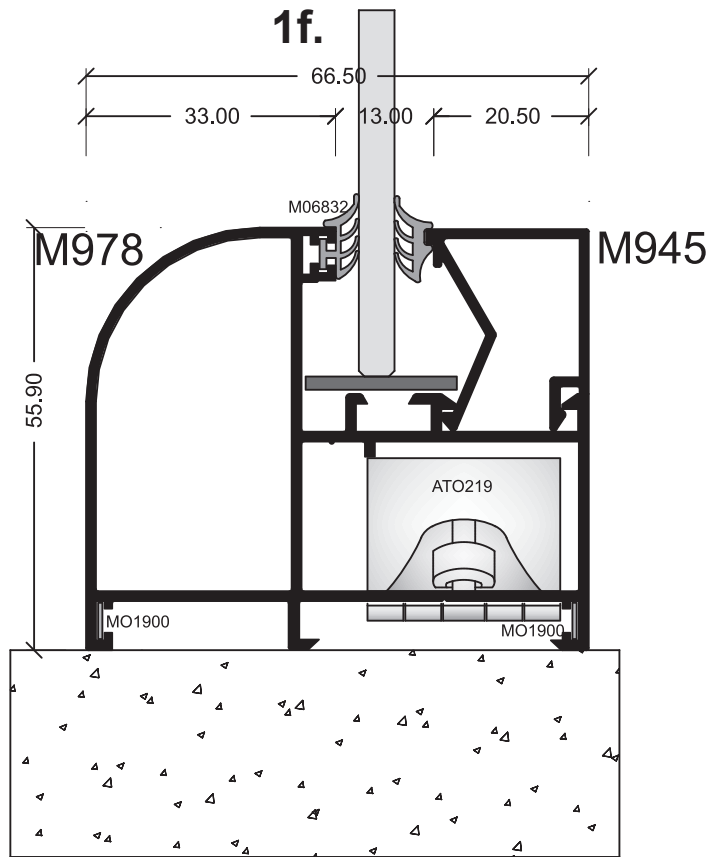
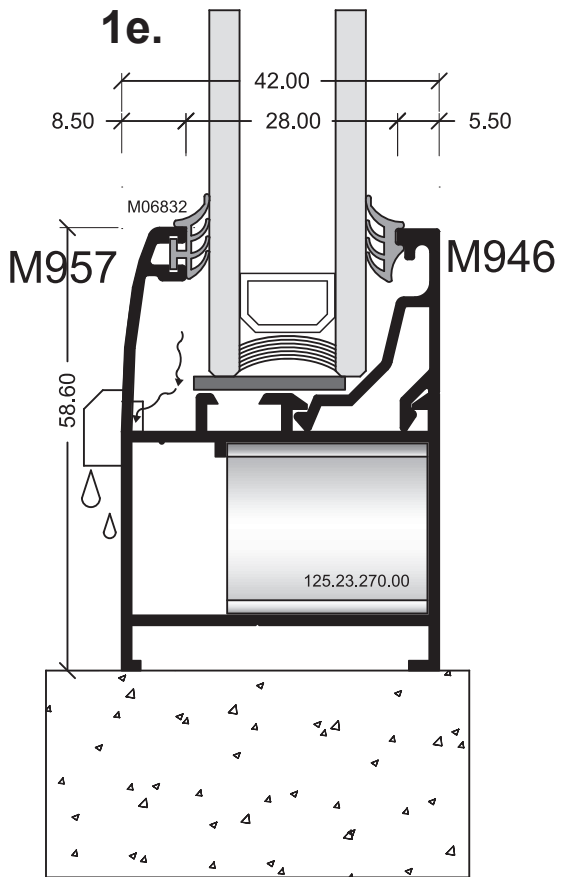
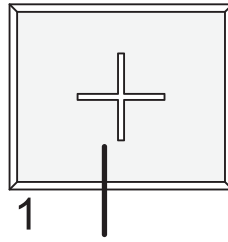
**M 976 COMPATIBLE WITH T 50**

W = 317 gr/m

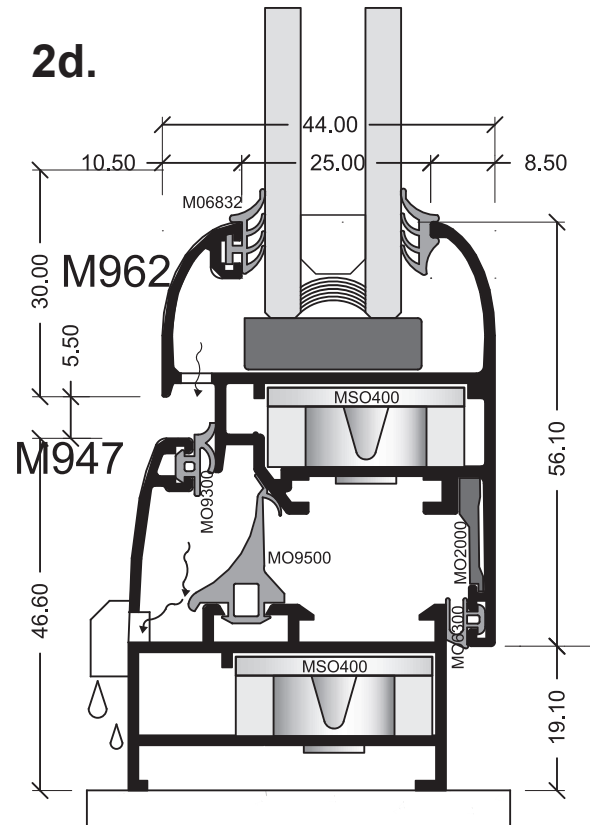
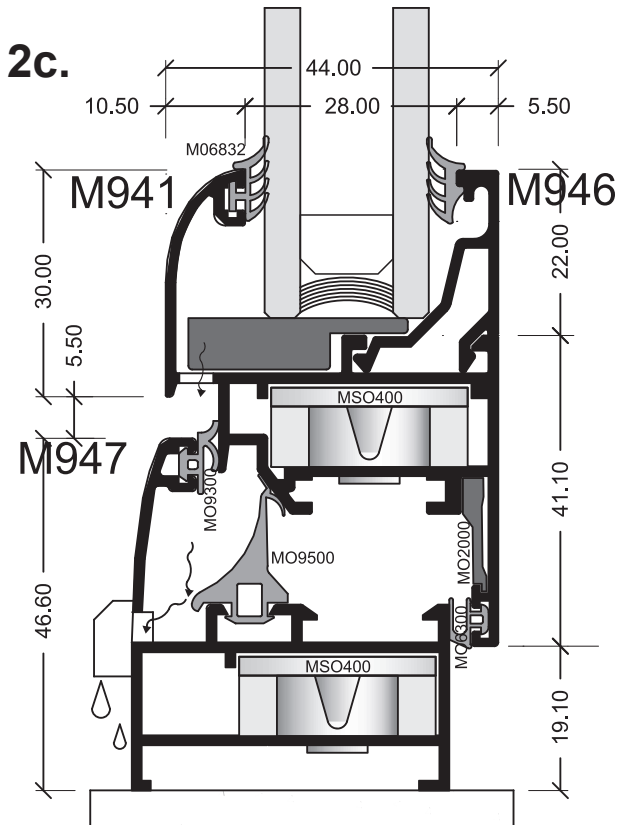
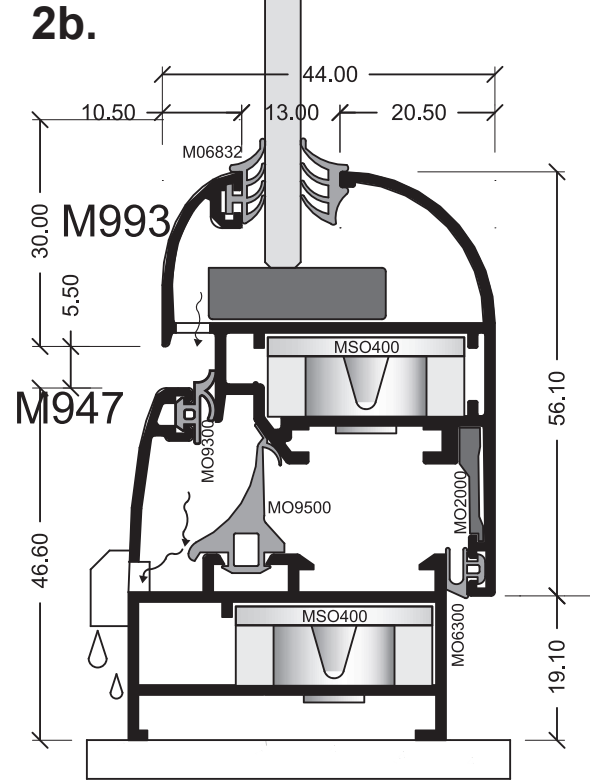
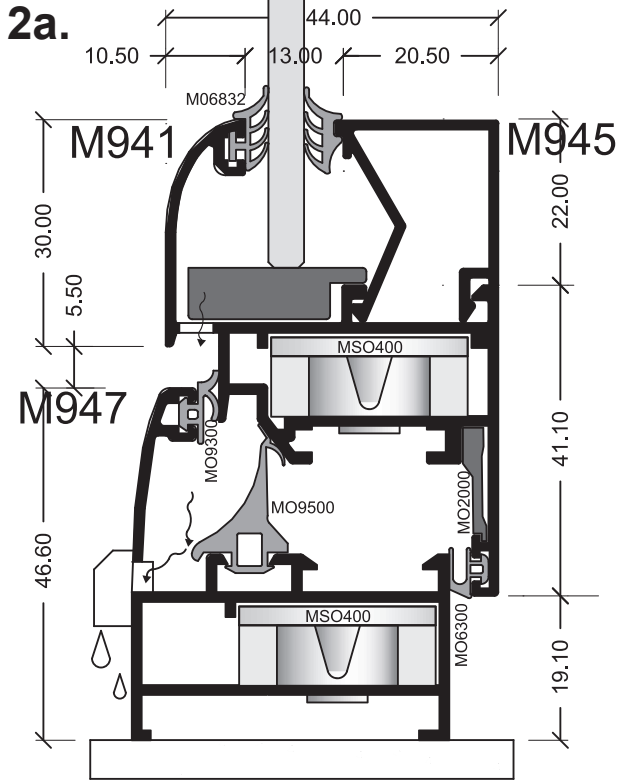
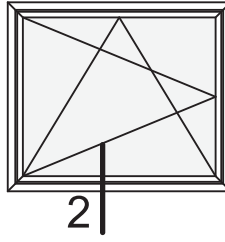


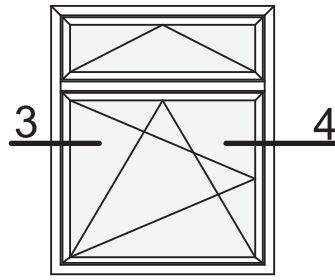




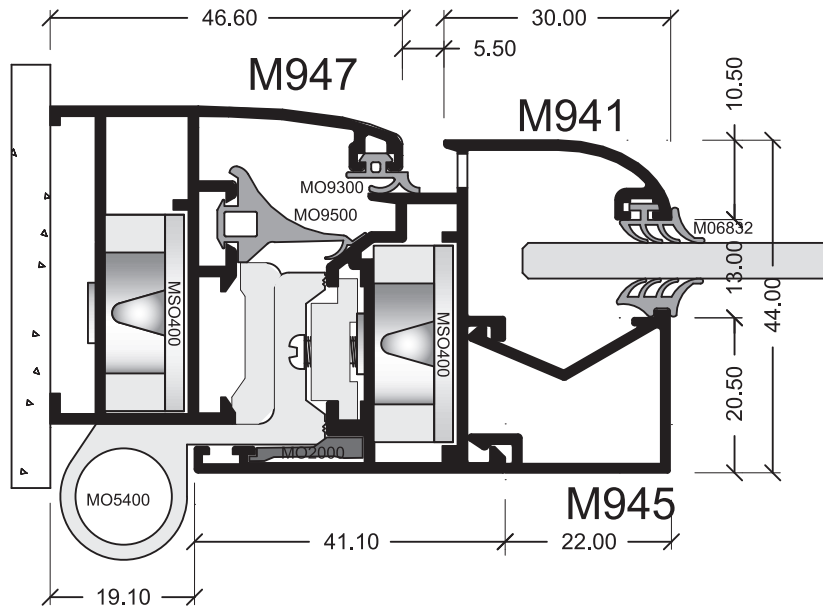




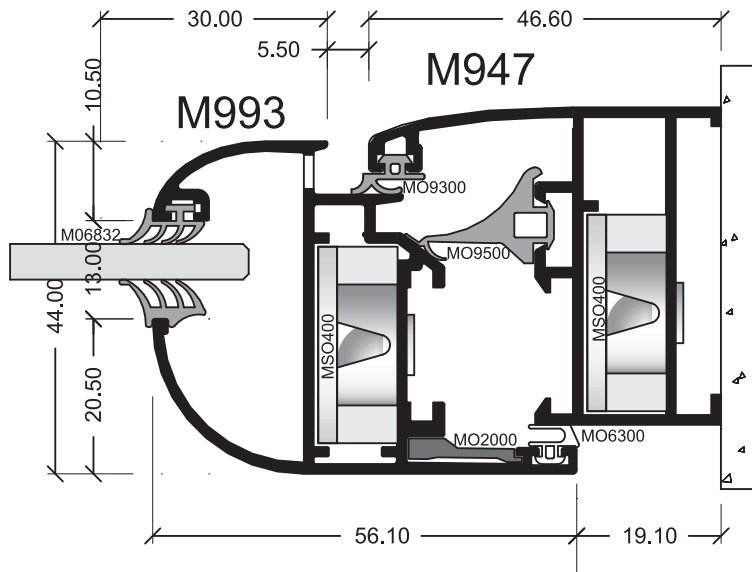


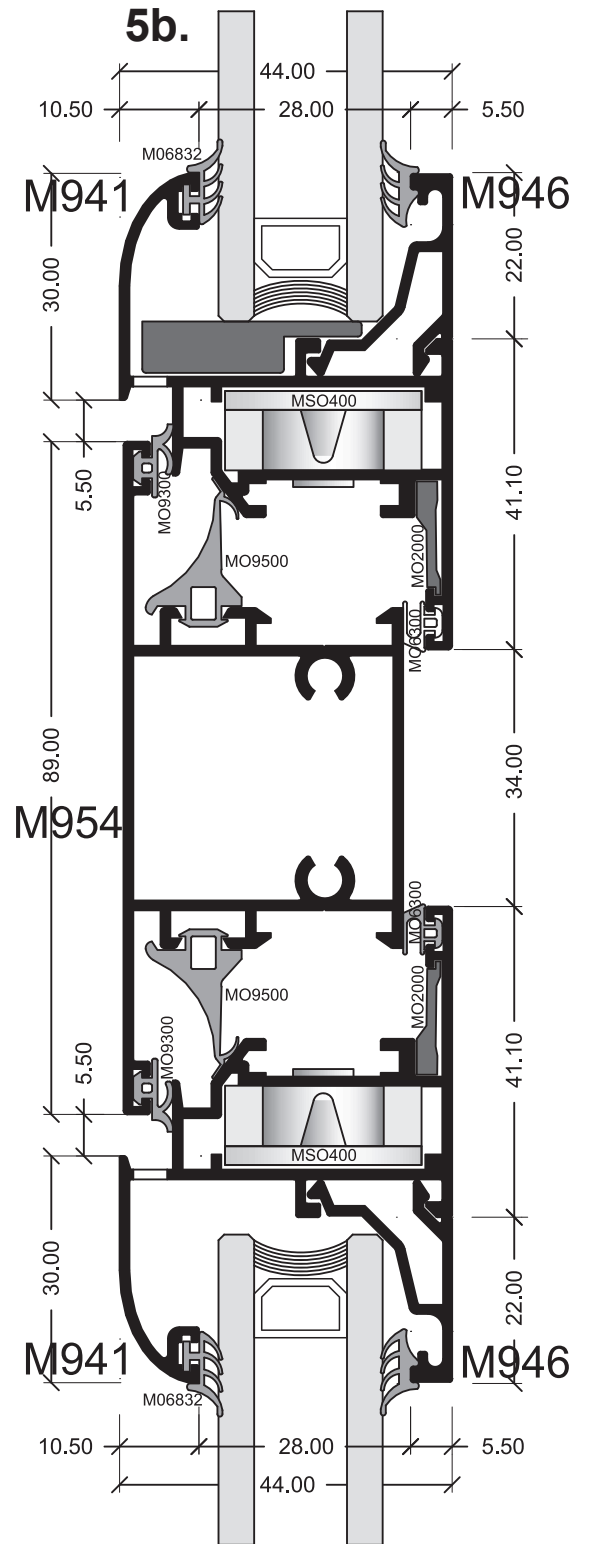
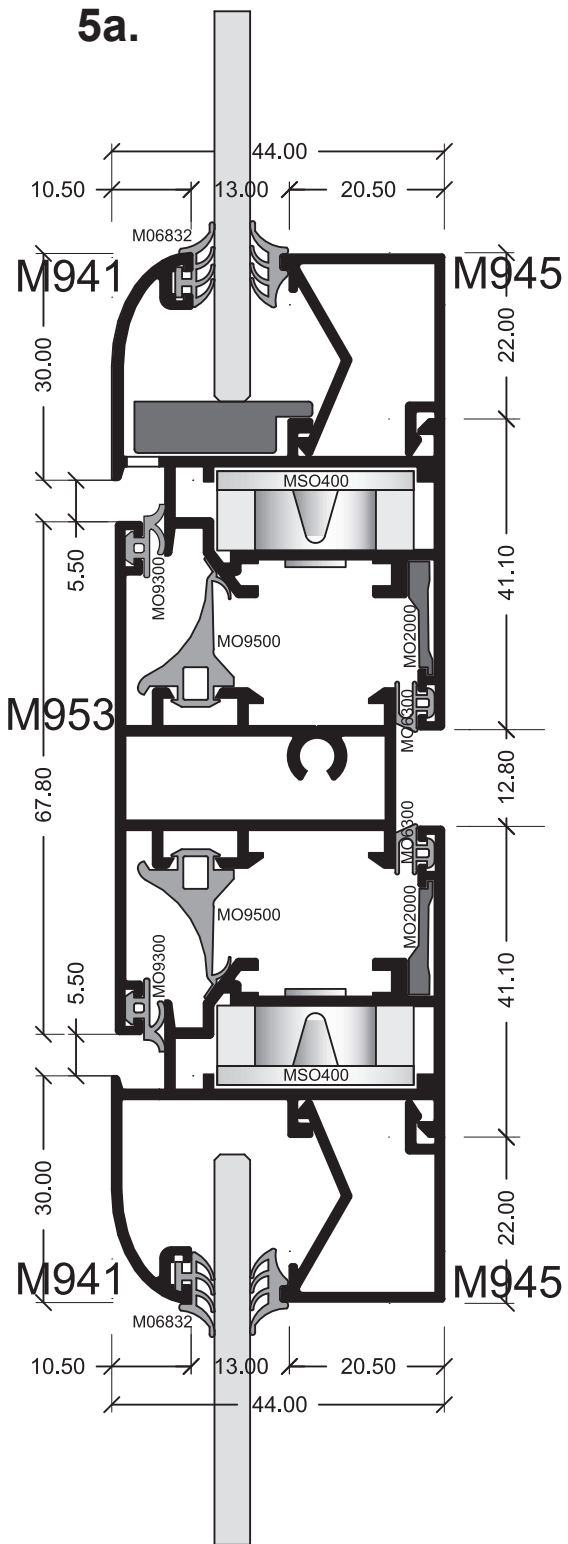
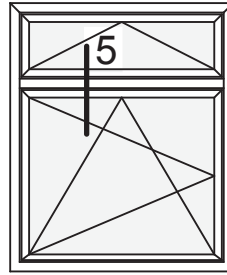


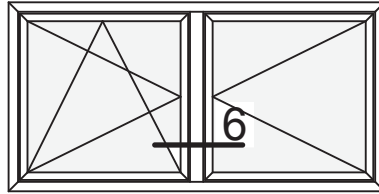
3.



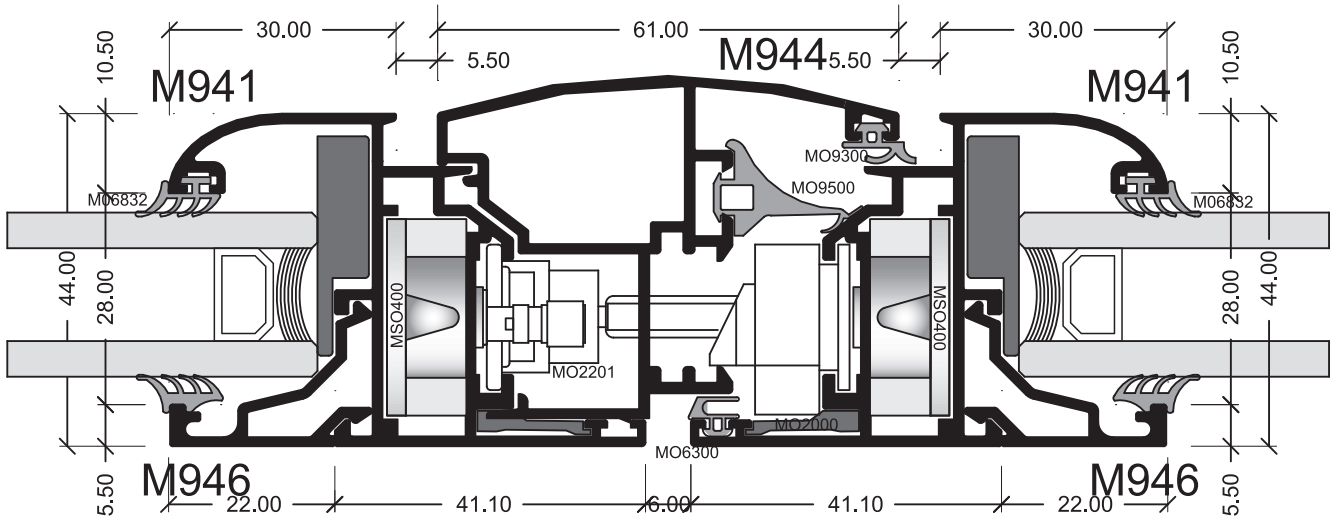
4.



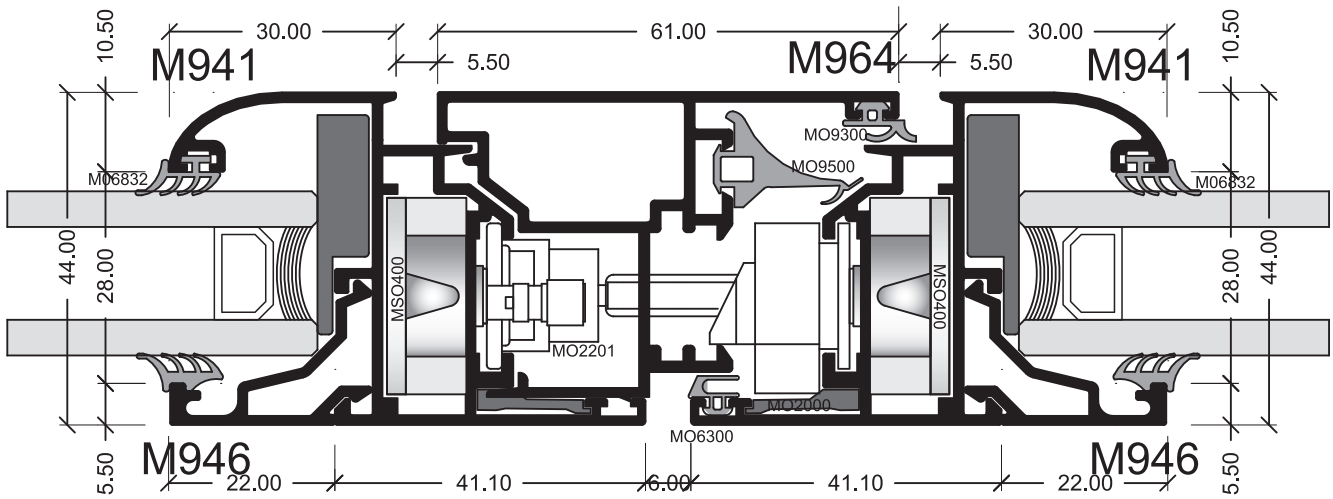




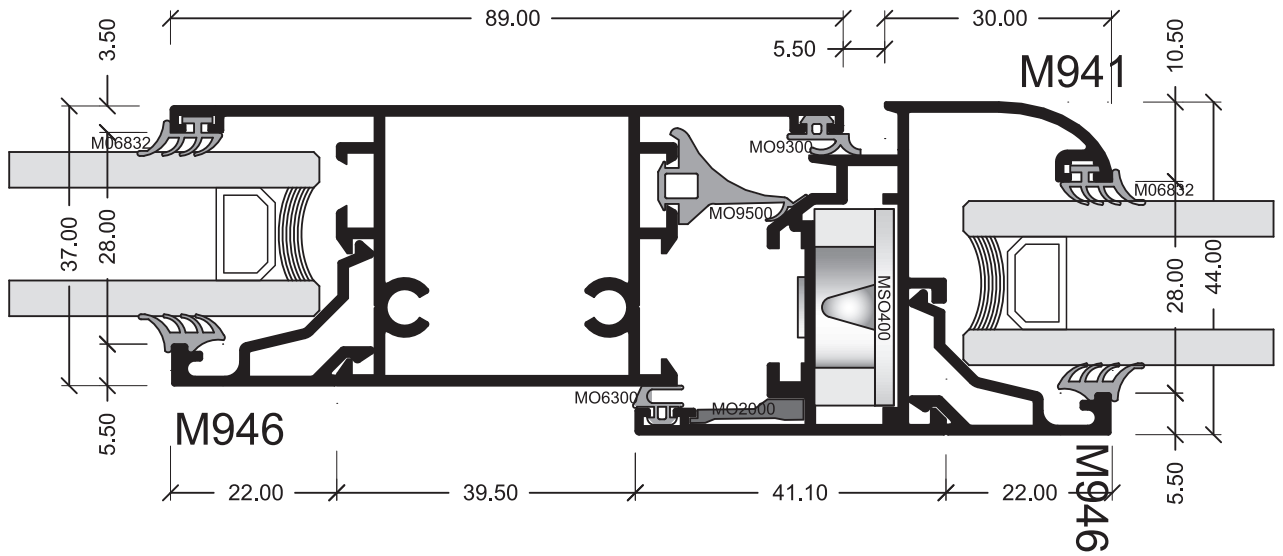
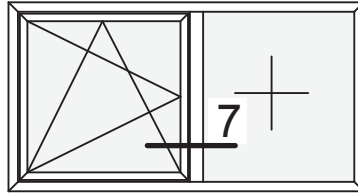
**6a.**



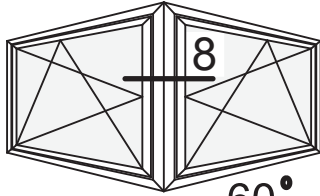
**6b.**



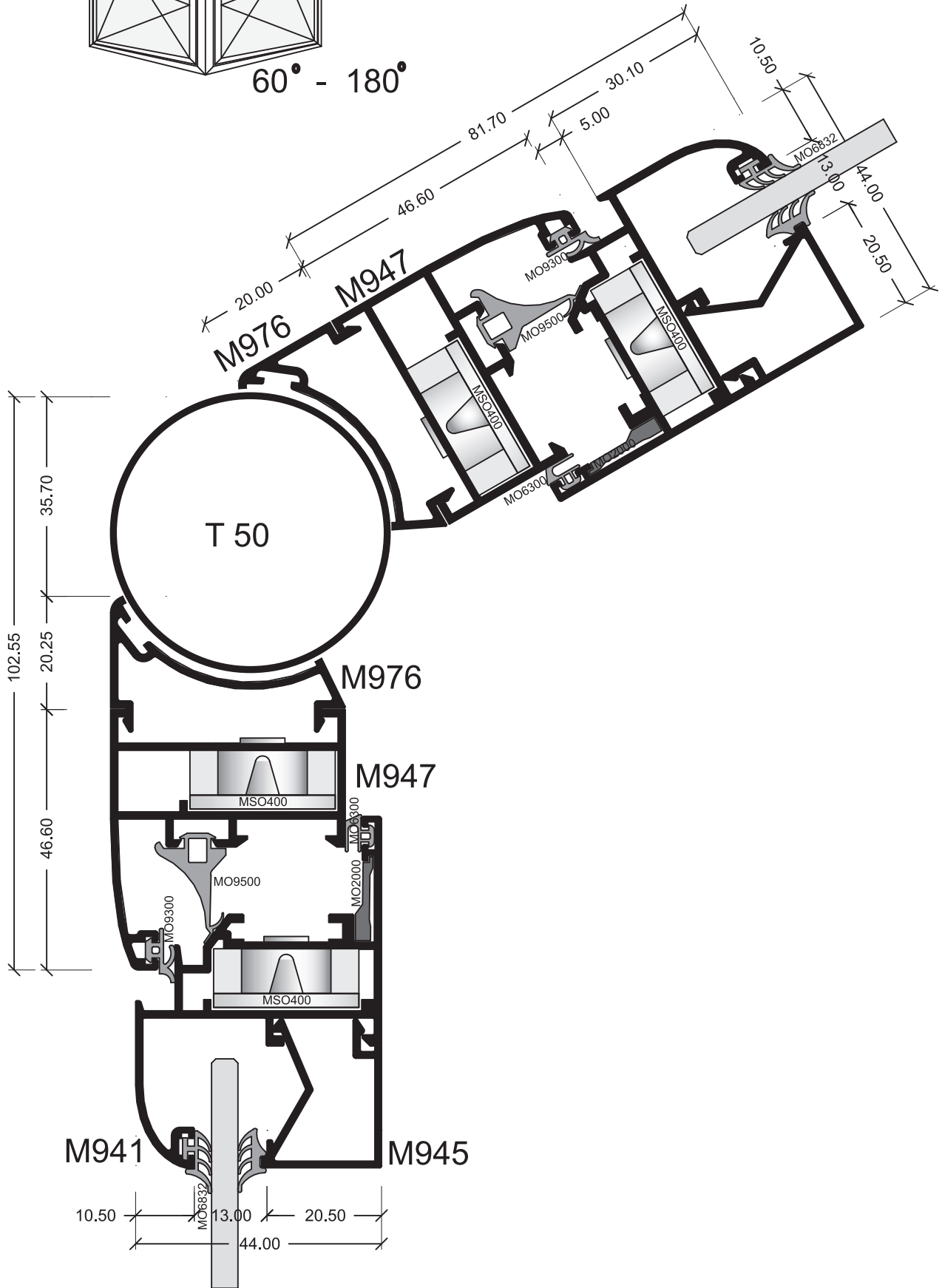
7.

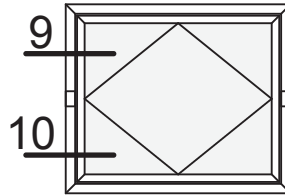


8.

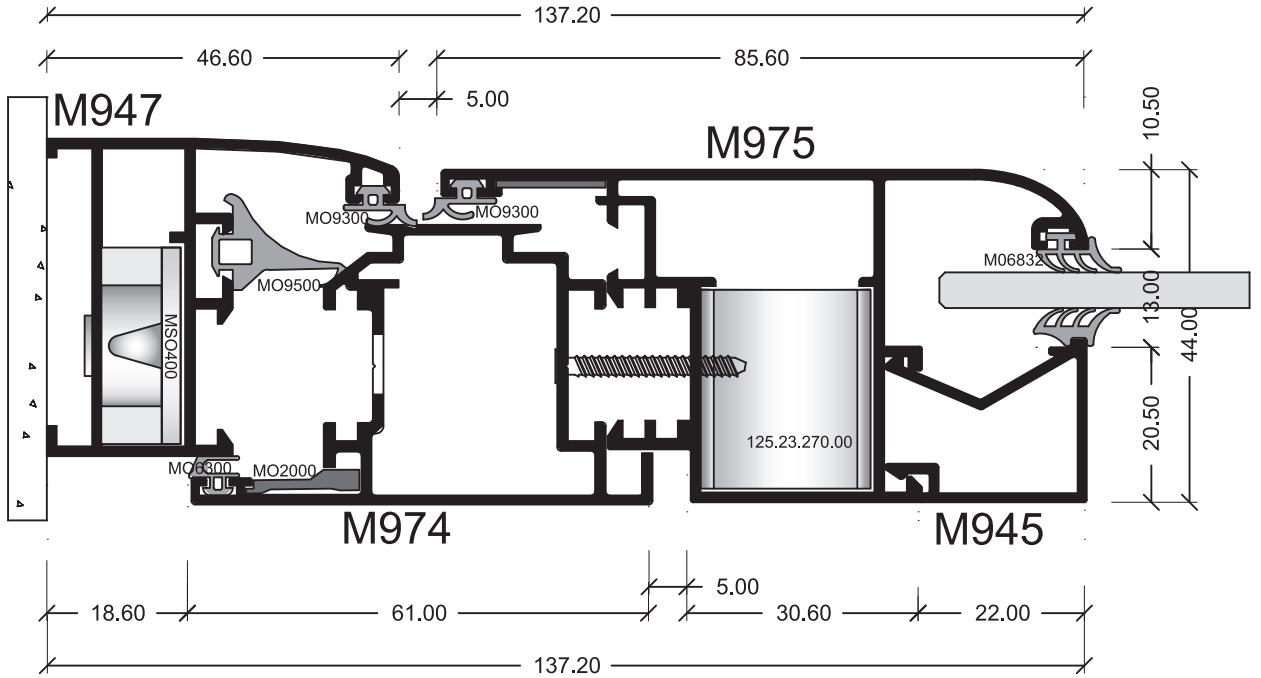


60° - 180°

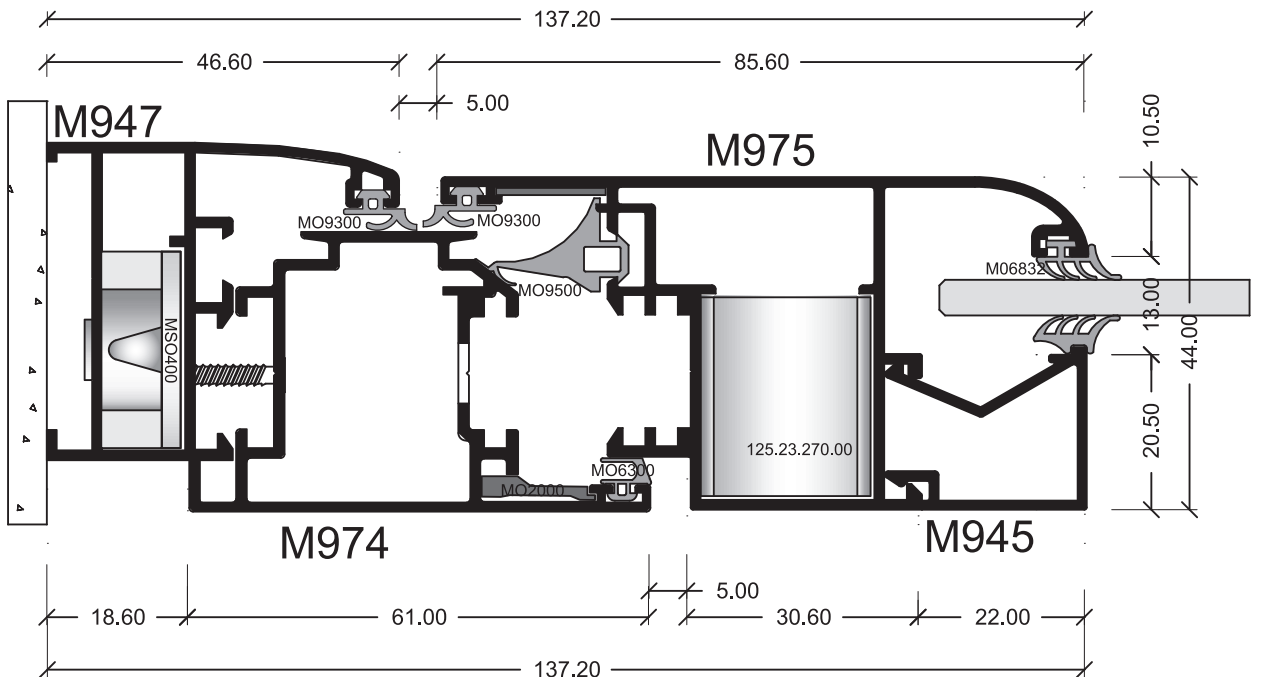




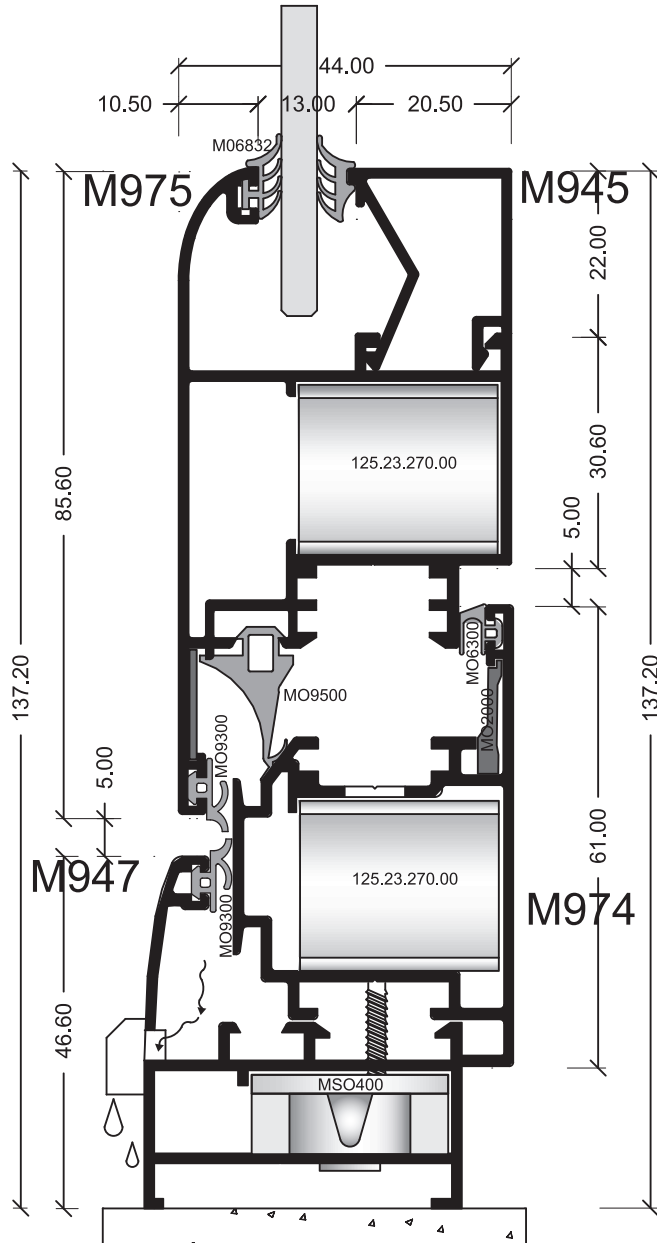
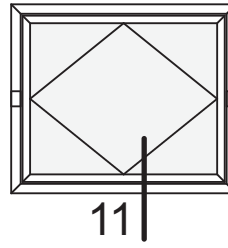
**9.**



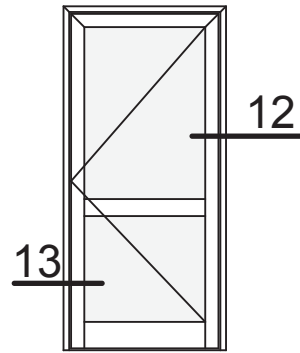
**10.**



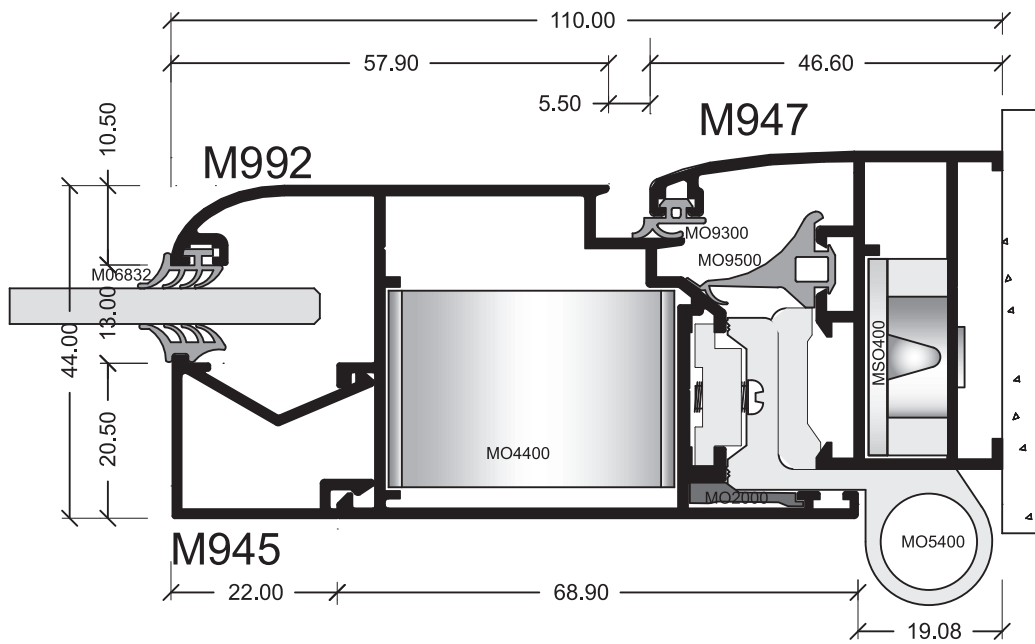
11.



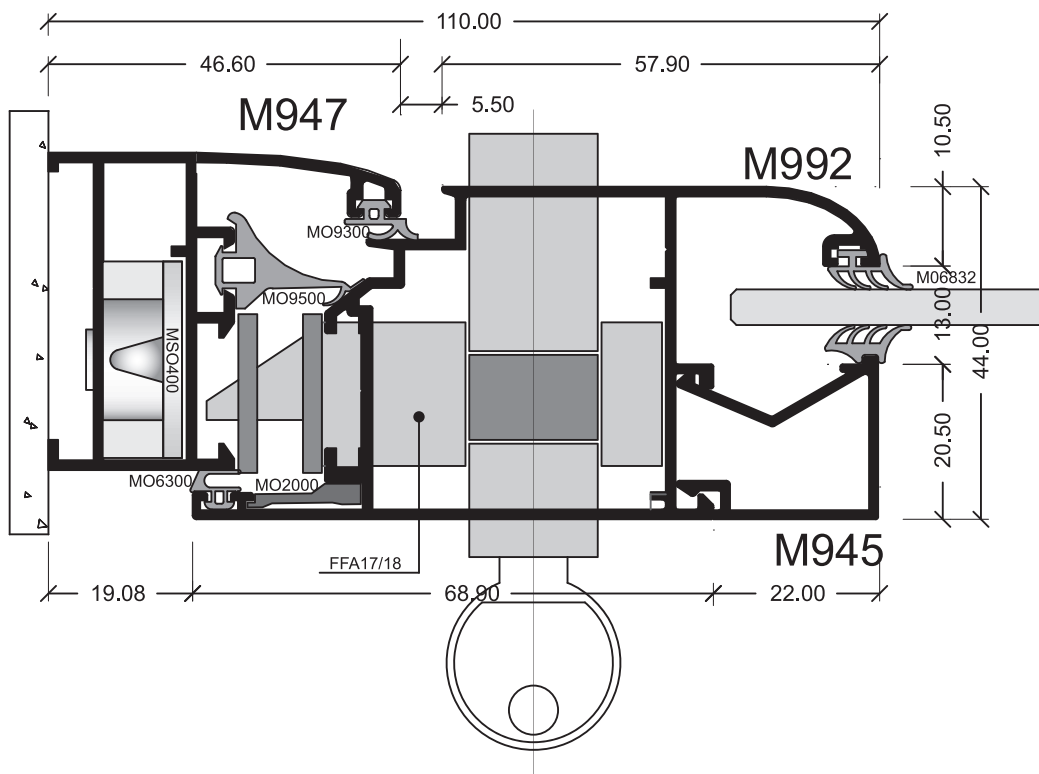


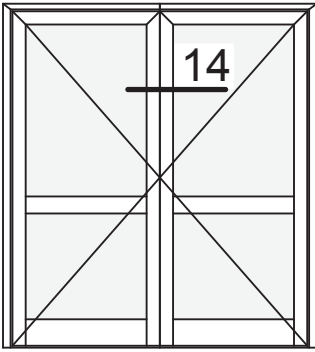


**12.**

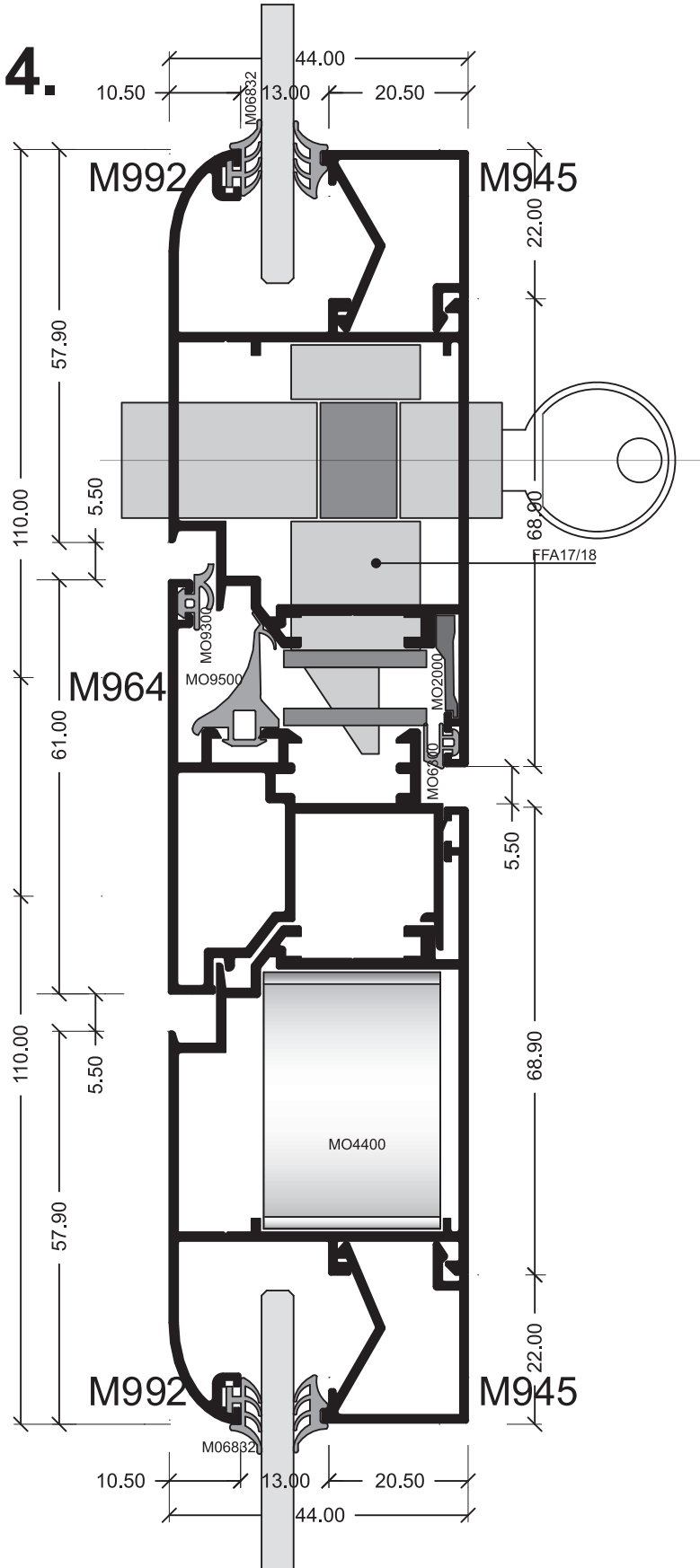


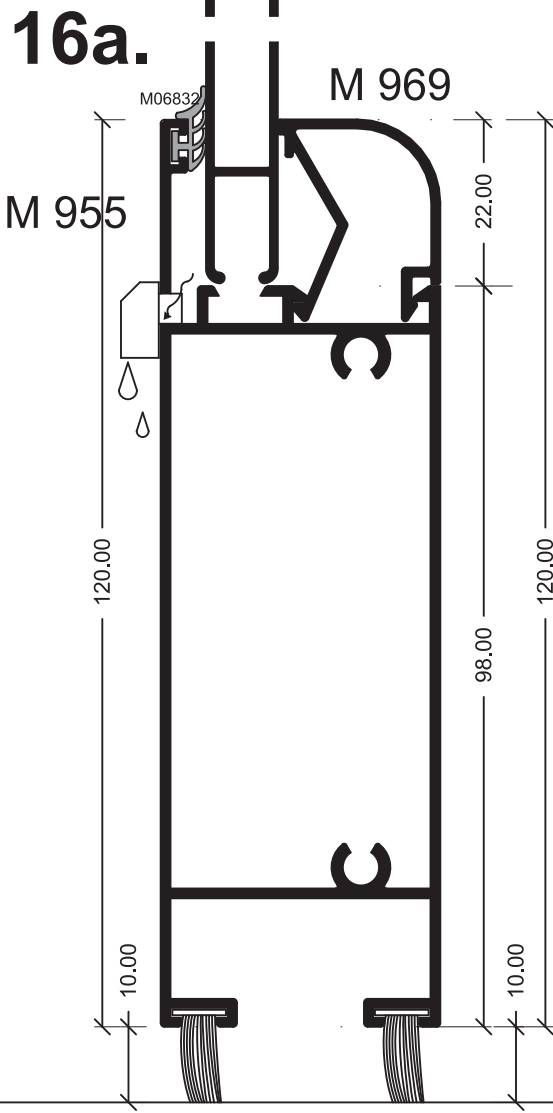
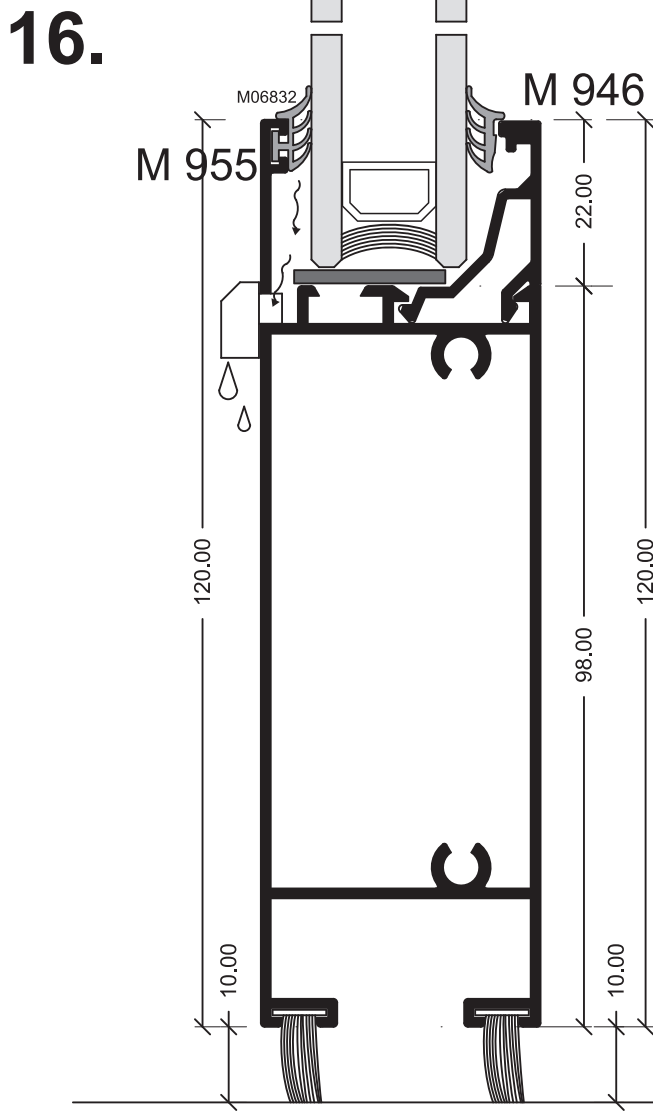
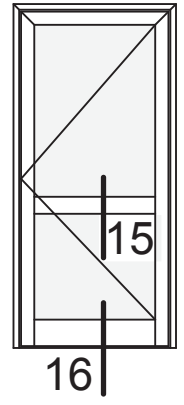
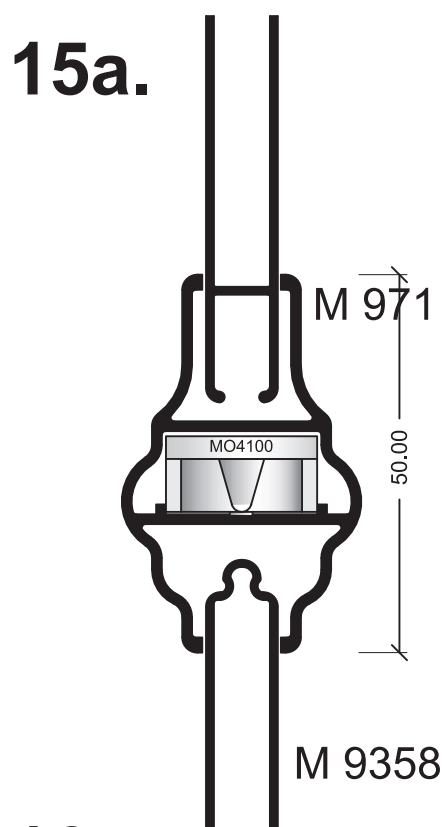
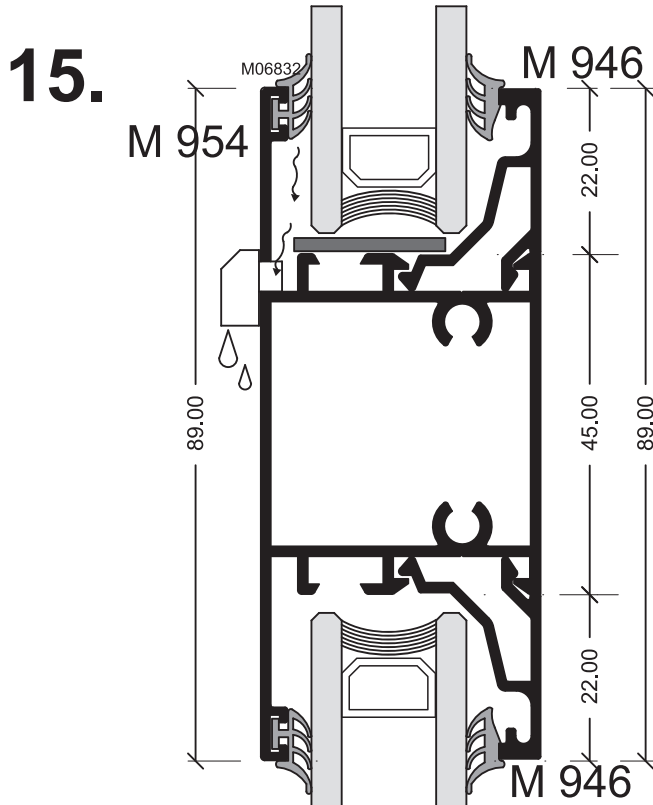
**13.**



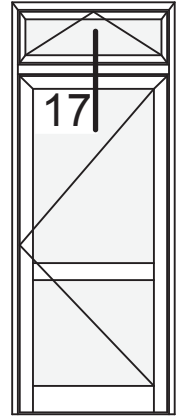
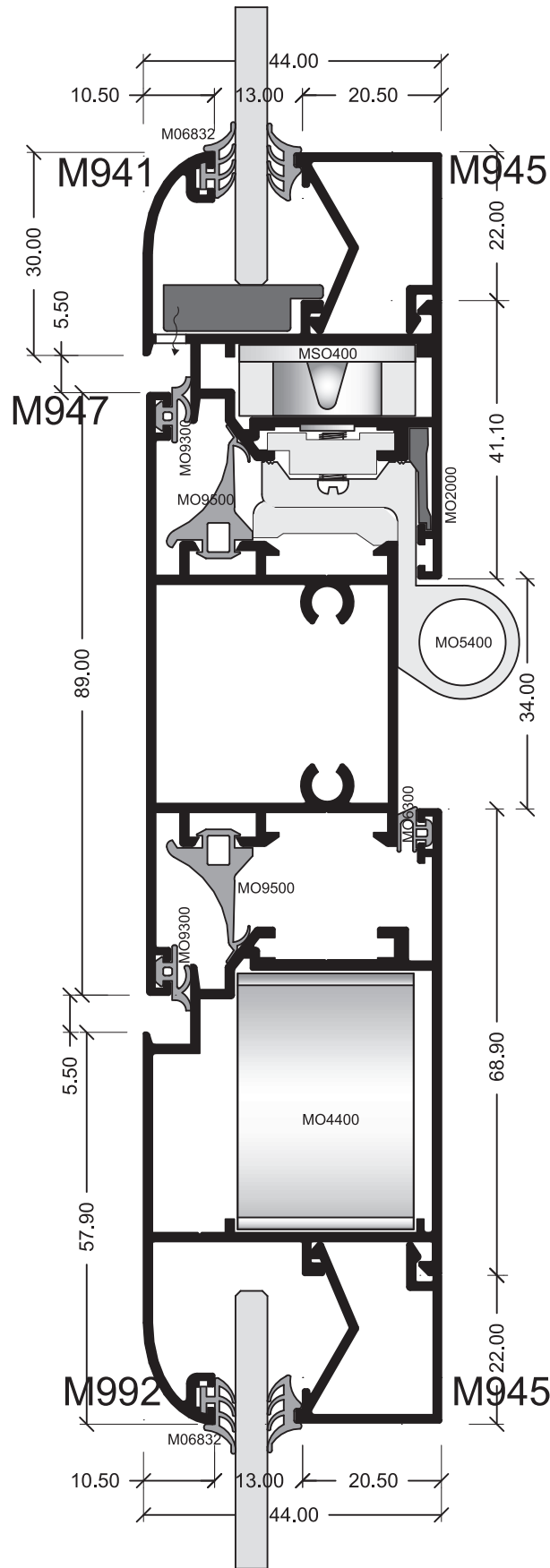


**14.**

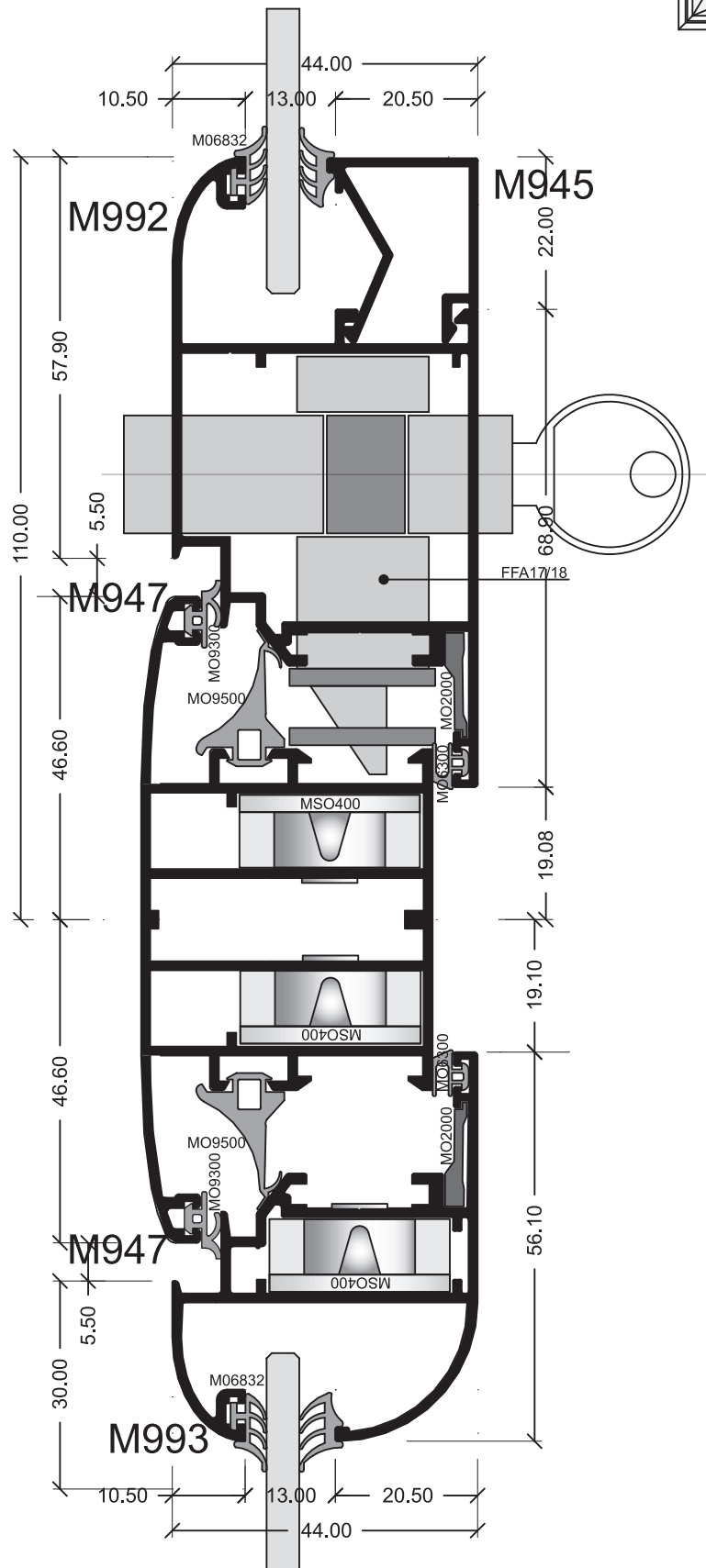
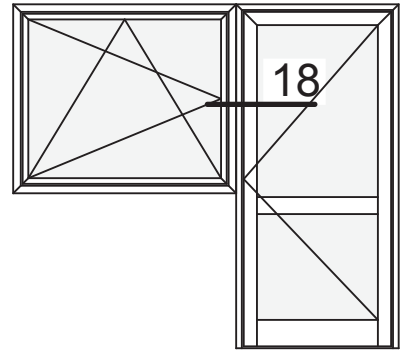


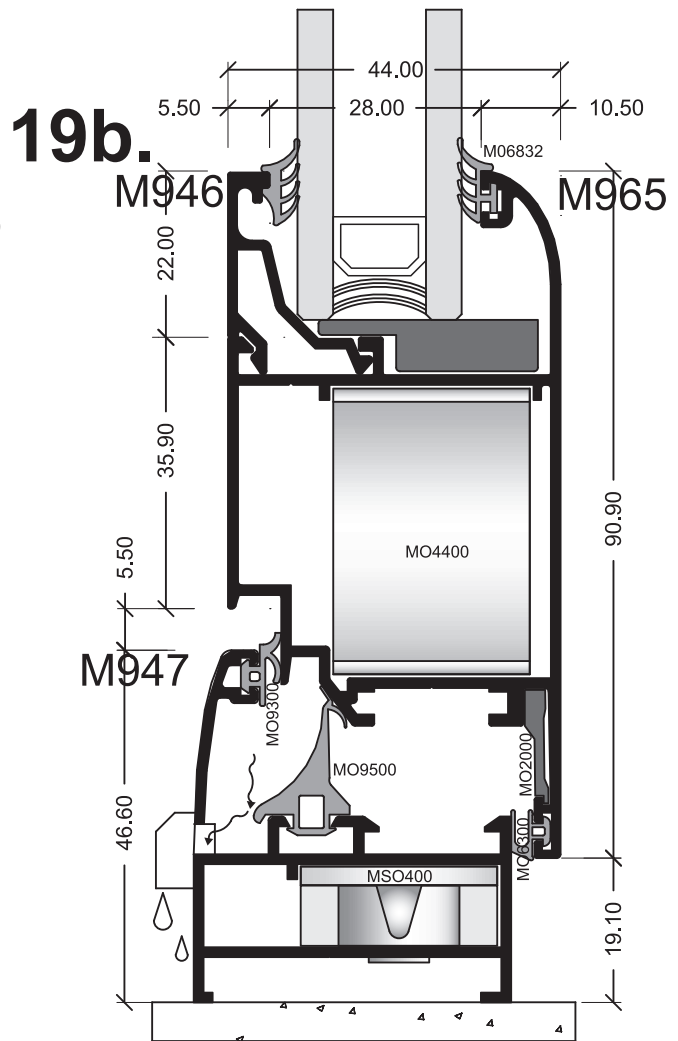
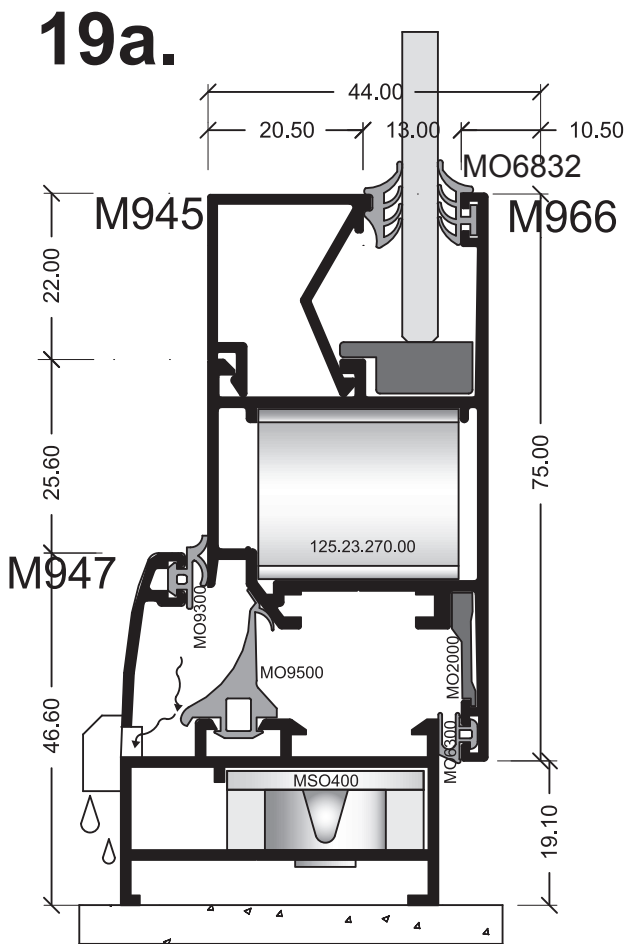
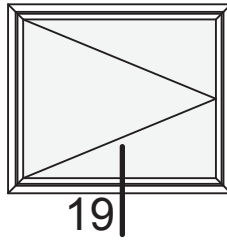


17.

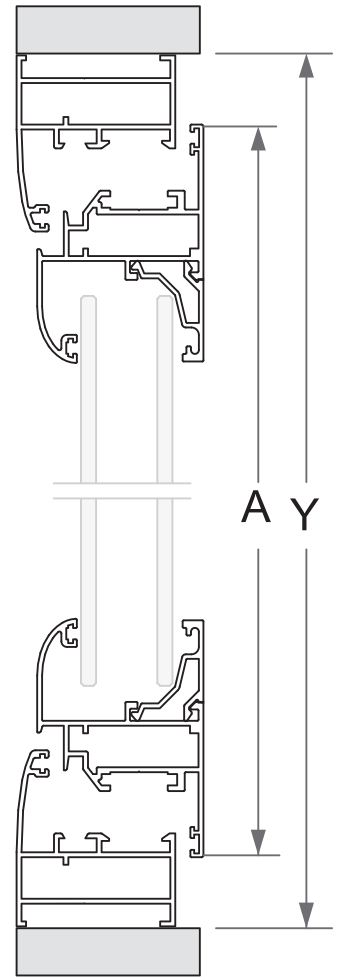
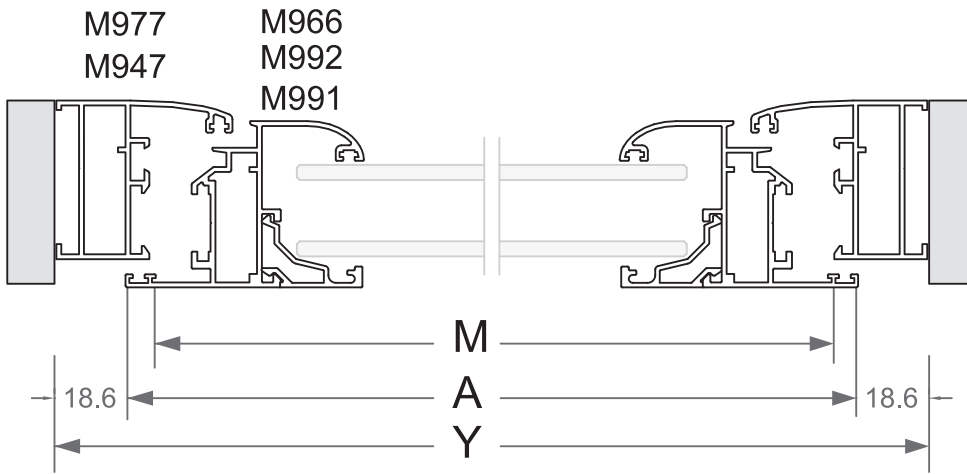


18.



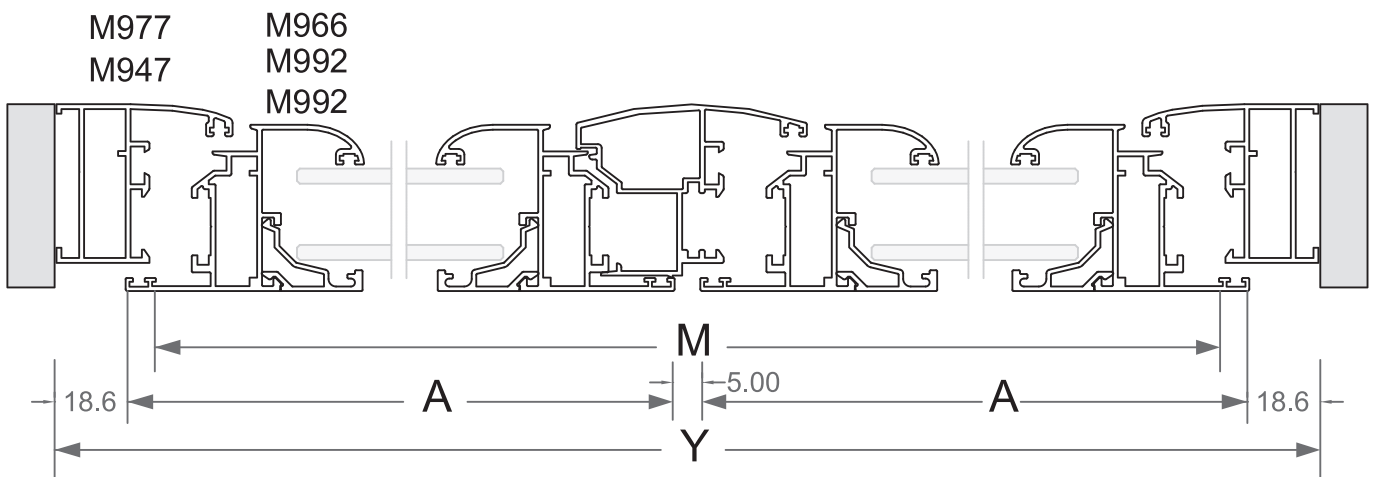


**SINGLE LEAF CASEMENT/ TILT-N-TURN WINDOW**



(HEIGHT OR WIDTH OF SASH)  $A=Y-37,2\text{mm}$   
OR  
 $A=M+12\text{mm}$

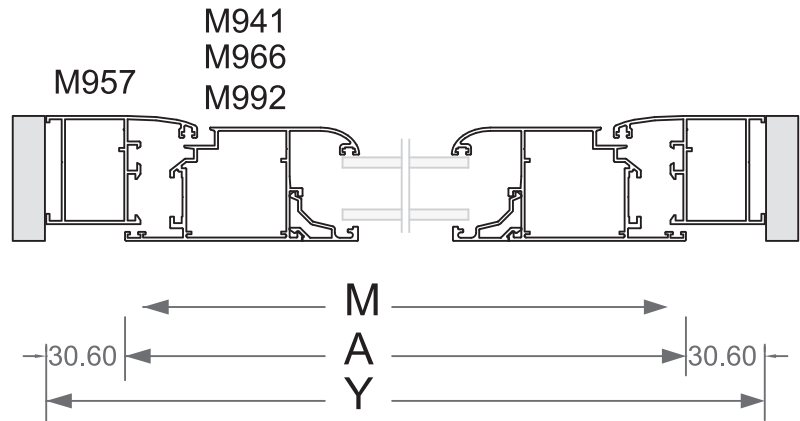
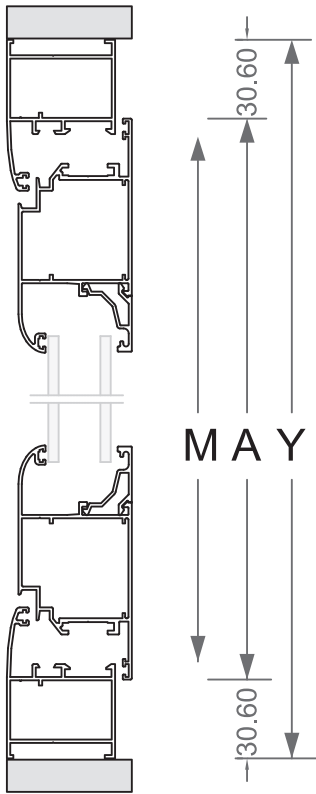
**DOUBLE LEAF CASEMENT/ TILT-N-TURN WINDOW**



(WIDTH OF SASH)  $\frac{A=Y-42,2\text{mm}}{2}$  OR  $\frac{A=M+7\text{mm}}{2}$

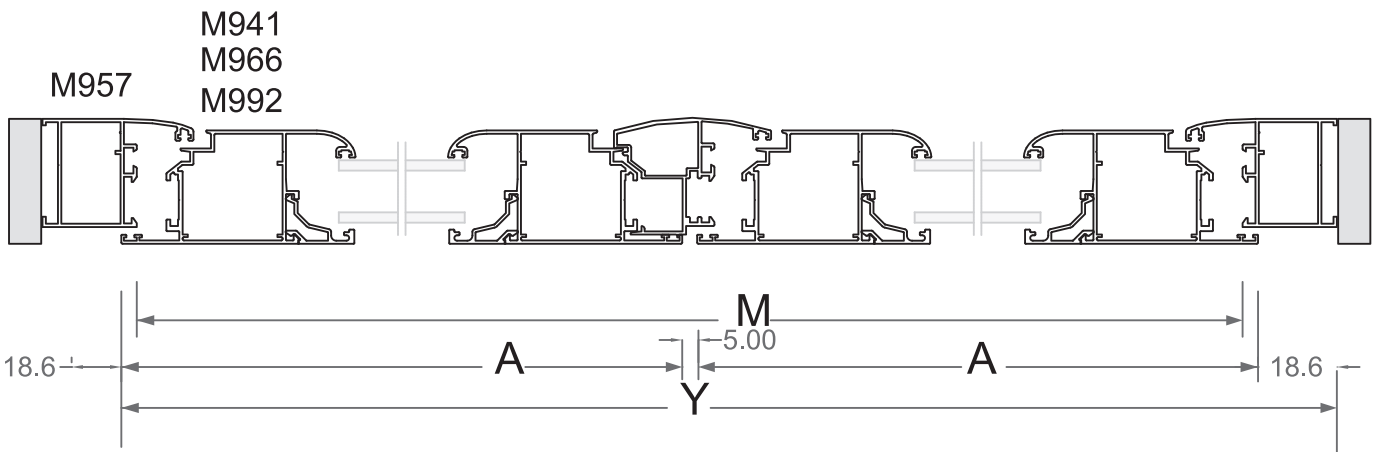
(HEIGHT OF SASH)  $A=Y-37,2\text{mm}$  OR  $A=M+7\text{mm}$

**SINGLE LEAF CASEMENT/ TILT-N-TURN WINDOW**



(HEIGHT OR WIDTH OF SASH)  $A=Y-61,2\text{mm}$   
OR  
 $A=M+12\text{mm}$

**DOUBLE LEAF CASEMENT/ TILT-N-TURN WINDOW**

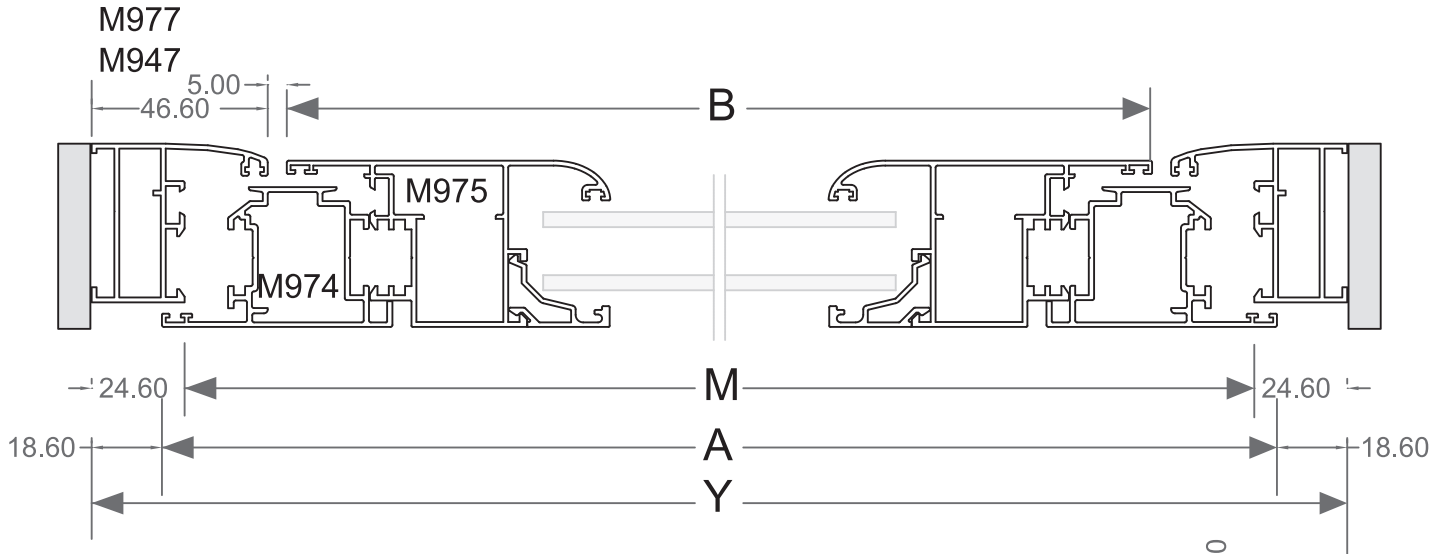


( WIDTH OF SASH)  $\frac{A=Y-66,2\text{mm}}{2}$  OR  $\frac{A=M+7\text{mm}}{2}$

(HEIGHT OF SASH)  $A=Y-61,2\text{mm}$  OR  $A=M+12\text{mm}$

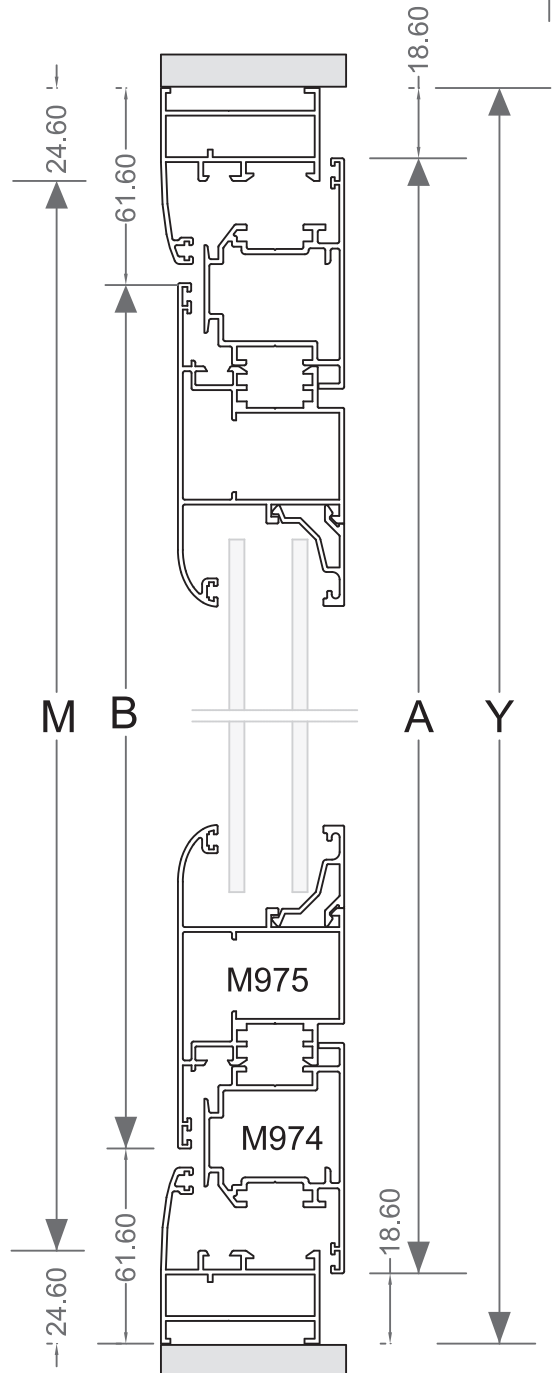
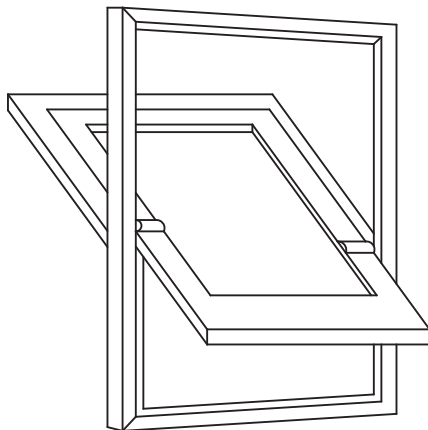


**PIVOTING WINDOW**

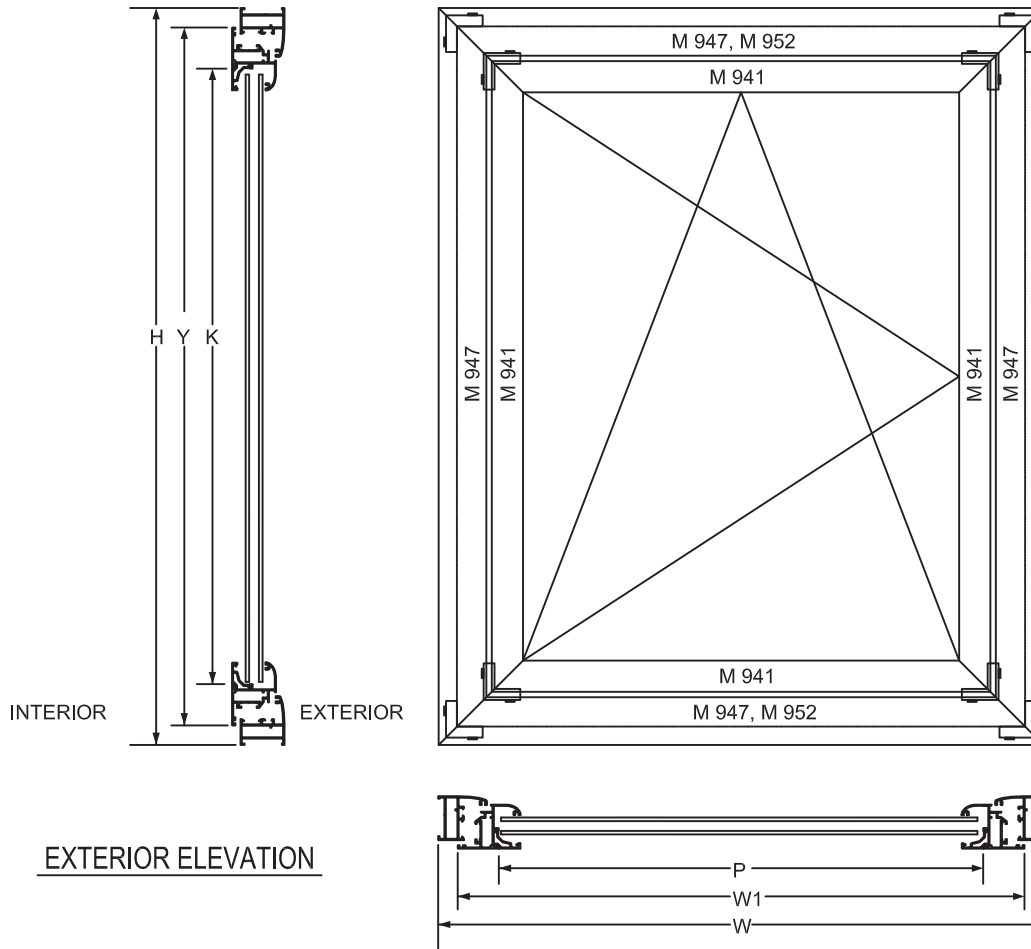


(HEIGHT/WIDTH OF SASH M974)  $A=Y-37,2\text{mm}$   
 $A=M+12\text{mm}$

(HEIGHT/WIDTH OF SASH M975)  $B=Y-103,2\text{mm}$   
 $B=M-54\text{mm}$



**SINGLE LEAF CASEMENT/ TILT-N-TURN WINDOW**

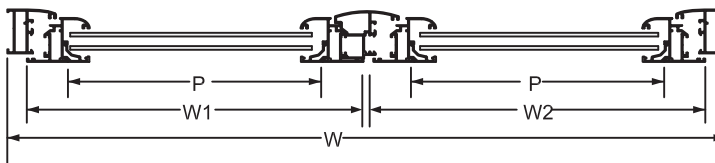
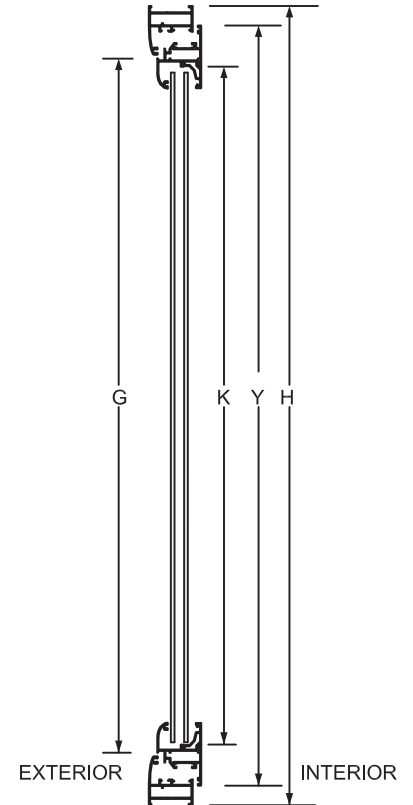
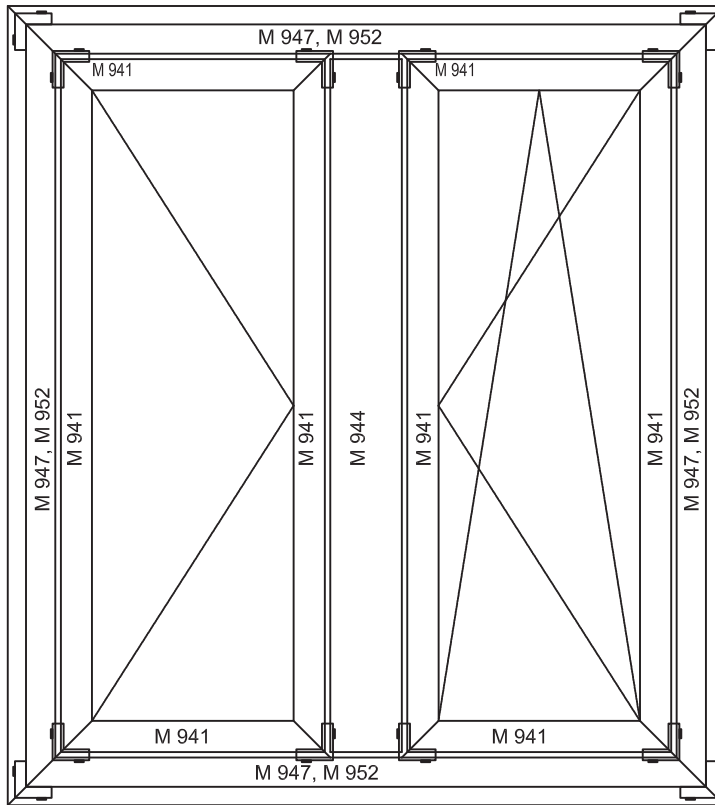


EXTERIOR ELEVATION

SINGLE CASMENT/HOPPER WINDOW

FRAME	PROFILE NUMBER	DESCRIPTION	QUANTITY
	M947	FIXED FRAME	2H+2W (m)
	OR M952	FRAME WITH ARMATURE	2H+2W (m)
ACCESSORIES FOR THE FRAME	MS.0400	JOINT CORNER 11 X 26mm	
	OR AL.2327 "In case M 957"	JOINT CORNER 23 X 26mm	
	MO.9500	CENTRAL RUBBER SEAL	2H+2W (m)
	MO.9300	EPDM SMAL RUBBER SEAL	2H+2W (m)
	MS.08.02	DRAIN COVER	
SASH	M941	SASH DOUBLE GLAZING	2Y+2W1 (m)
	M946	GLASS HOLDER	2P+2K (m)
ACCESSORIES FOR THE SASH	MS.0400	JOINT CORNER 11 X 26mm	
	OR MO.4400 "In case M 942"	JOINT CORNER 23 X 26mm	
	MO.6300	EPDM SMAL RUBBER SEAL	2Y+2W1 (m)
	MO.6832	INSRTED EXTERNAL RUBBER SEAL GLAZING	2Y+2W1 (m)
	AL.4	PRESS-IN INTERNAL RUBBER SEAL GLAZING	2P+2K (m)
	MO.2000	PLASTIC ALIGNMENT CORNER	
* NOTE : (m=meters) (pr,=pair)			

**SINGLE LEAF CASEMENT/ TILT-N-TURN WINDOW**

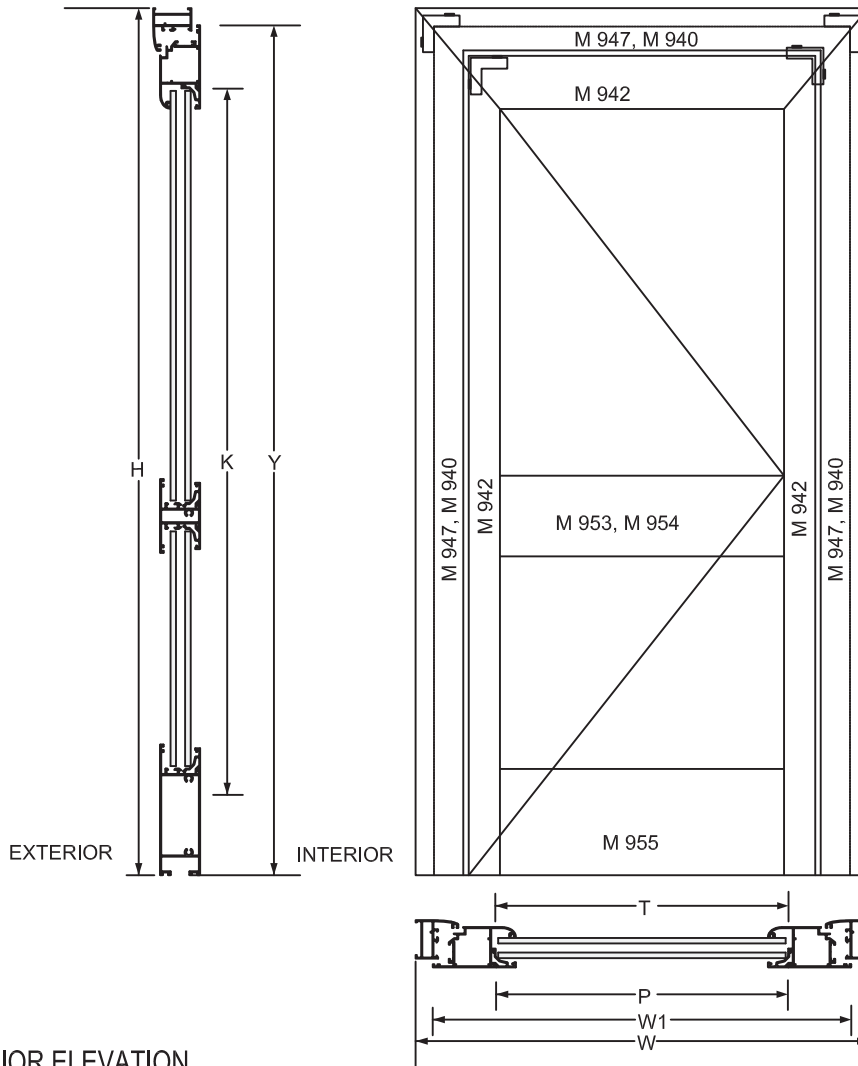


**EXTERIOR ELEVATION**

**DOUBLE OPENING CASEMENT WINDOWS**

FRAME	PROFILE NUMBER	DESCRIPTION	QUANTITY
	M947	FIXED FRAME	2H+2W (m)
	OR M952	FRAME WITH ARMATURE	2H+2W (m)
ACCESSORIES FOR THE FRAME	MS.0400	JOINT CORNER 11 X 26mm	
	OR AL.2327 "In case M 957"	JOINT CORNER 23 X 26mm	
	MO.9500	CENTRAL RUBBER SEAL	2H+2W (m)
	MO.9300	EPDM SMAL RUBBER SEAL	2H+2W (m)
	MS.08.02	DRAIN COVER	
SASH	M941	SASH DOUBLE GLAZING	4Y+4W1 (m)
	M946	SASH SINGLE GLAZING	4Y+4W1 (m)
	M946	GLASS HOLDER	4P+4K (m)
	M944	ADJOINING PROFILE	1G (m)
ACCESSORIES FOR THE SASH	MS.0400	CORNER WIDTH 26mm	
	MO.6300	EPDM SMAL RUBBER SEAL	4Y+4W1 +1G (m)
	MO.6832	INSERTED EXTERNAL RUBBER SEAL GLAZING	4P+4K (m)
	AL.4	PRESS-IN INTERNAL RUBBER SEAL GLAZING	4P+4K (m)
	MO.2000	PLASTIC ALIGNMENT CORNER	
	MO.5400	HINGE, STANDARD	
	MO.9700	COVER WATERPROOF FOR ADJOINING PROFILE M.944	
MO.2201	END PICES FOR LATCH		
* NOTE : (m=meters) (pr.=pair)			

DOOR

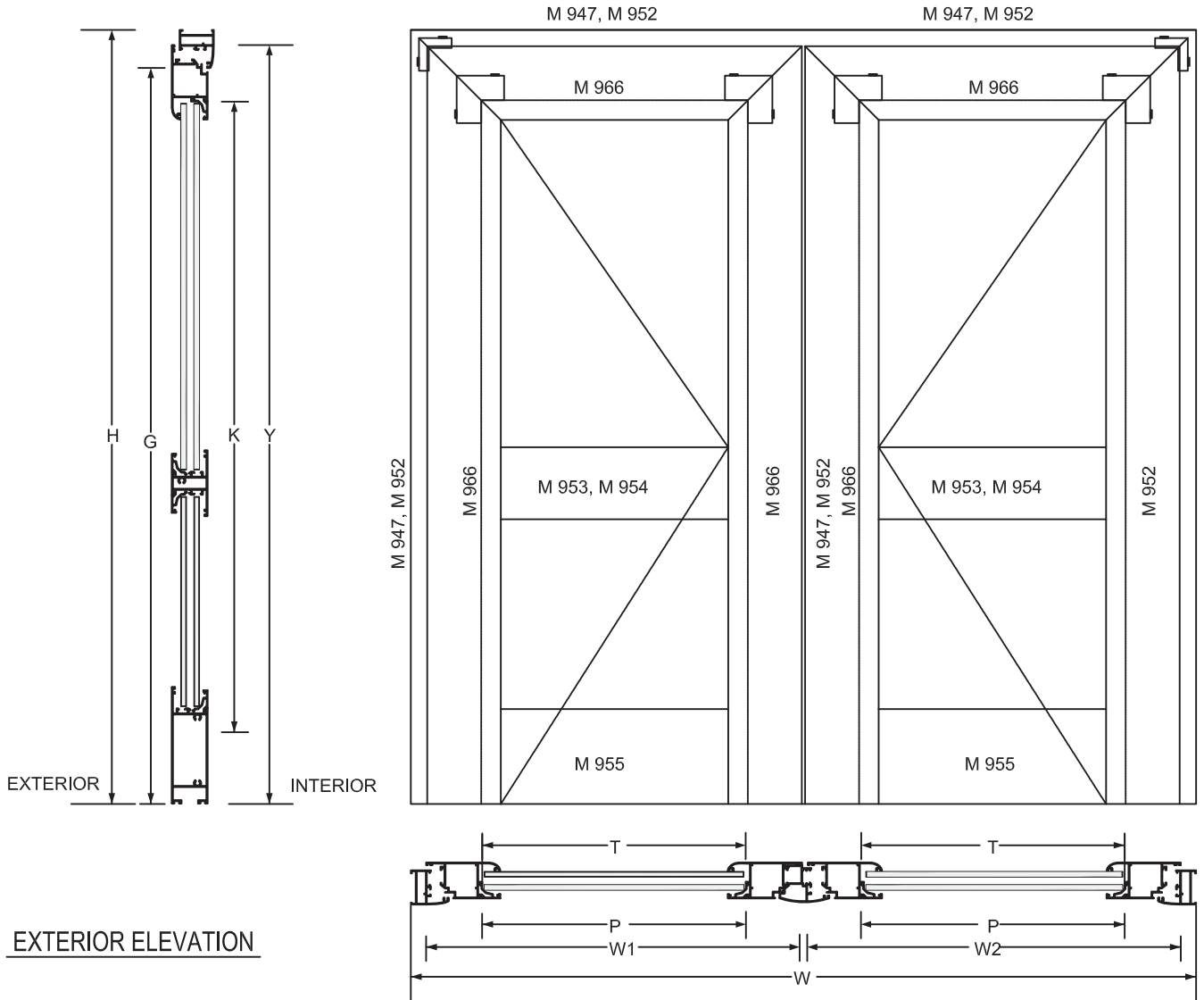


EXTERIOR ELEVATION

DOOR

FRAME	PROFILE NUMBER	DESCRIPTION	QUANTITY
	M947	FIXED FRAME	2H+1W (m)
	OR M952	FRAME WITH ARMATURE	2H+1W (m)
ACCESSORIES FOR THE FRAME	MS.0400	JOINT CORNER 11 X 26mm	
	OR AL.2327 "In case M 957"	JOINT CORNER 23 X 26mm	
	MO.9500	CENTRAL RUBBER SEAL	2H+1W (m)
	MO.9300	EPDM SMAL RUBBER SEAL	2H+1W (m)
	MS.08.02	DRAIN COVER	
SASH	M942	SASH DOUBLE GLAZING	2y+2W1 (m)
	M946	DOUBLE GLAZING CAP	2K+4T (m)
	OR M945	SINGLE GLAZING CAP	2K+4T (m)
	M954	TEE 89mm	1T (m)
	M955	PANEL	1T (m)
ACCESSORIES FOR THE SASH	MO.4400	CORNER ASSEMBLY	
	MO.9300	EPDM SMAL RUBBER SEAL	2Y+1W1 (m)
	MO.6832	RUBBER SEAL	2K+4T (m)
	AL.4	RUBBER SEAL	2K+4T (m)
	MO.2000	PLASTIC ALIGNMENT CORNER	
	MO.5400	HINGE, STANDARD	
	NF.7657/30	LOCK AND TONGUE	
		* NOTE : (m=meters ) (pr.=pair)	

## EXTERIOR OPENING DOUBLE DOORS

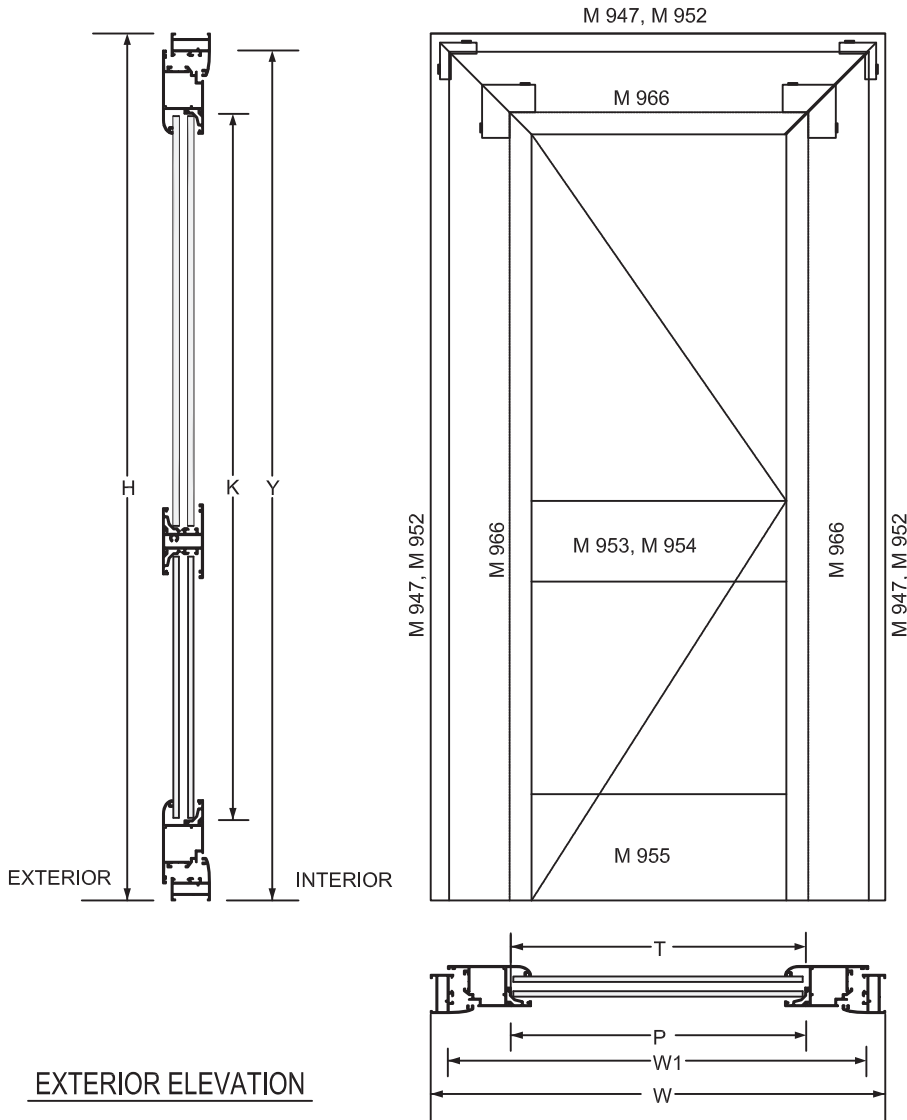


### EXTERIOR ELEVATION

#### EXTERIOR OPENING DOUBLE DOOR

	PROFILE NUMBER	DESCRIPTION	QUANTITY
FRAME	M947	FIXED FRAME	2H+2W (m)
	OR M952	FRAME WITH ARMATURE	2H+2W (m)
ACCESSORIES FOR THE FRAME	MS.0400	JOINT CORNER 11 X 26mm	
	OR AL.2327 "In case M 957"	JOINT CORNER 23 X 26mm	
	MO.9500	CENTRAL RUBBER SEAL	2H+1W (m)
	MO.9300	EPDM SMAL RUBBER SEAL	2H+1W (m)
	MS.08.02	DRAIN COVER	
SASH PROFILE	M966	SASH DOUBLE GLAZING	4y+2W1 (m)
	M946	DOUBLE GLAZING CAP	4K+8T (m)
	OR M945	SINGLE GLAZING CAP	4K+8T (m)
	OR M969	SINGLE GLAZING CAP	4K+8T (m)
	M944	ADJOINING PROFILE	1G (m)
	M954	"T"PROFILE 89mm	2T (m)
ACCESSORIES	M955	DOOR PANEL	2T (m)
	MO.6300	EPDM SMAL RUBBER SEAL	$6y+2W1+1W+1G$ (m)
	MO.6832	RUBBER SEAL GLAZING	2P+4K (m)
	AL.4	RUBBER SEAL GLAZING	2P+4K (m)
	MO.2000	PLASTIC ALIGNMENT CORNER	
	MO.5400	HINGE, STANDARD	
	NF.7651/30	LOCK AND TONGUE	
	MO.2201	END PICES FOR LATCH	
* NOTE : (m=meters) (pr=pair)			

**EXTERIOR OPENING DOOR**

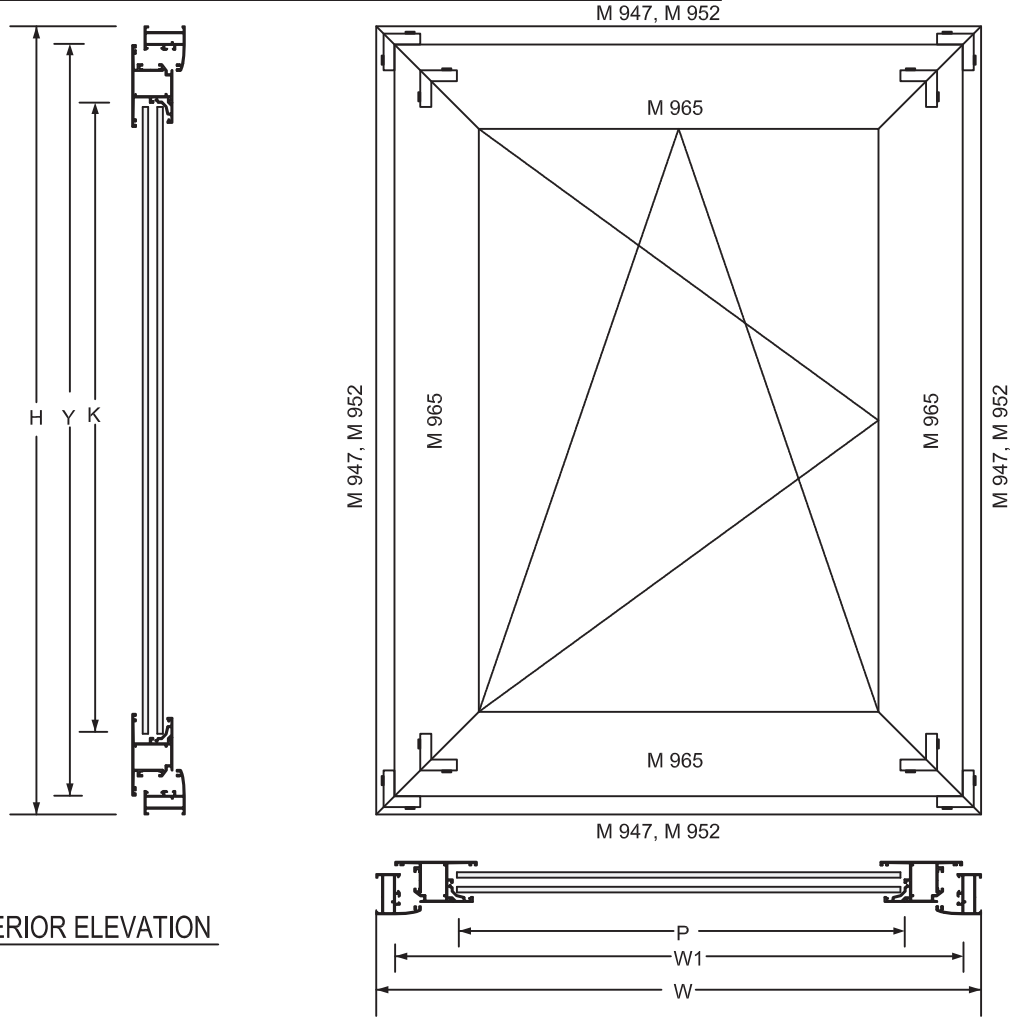


**EXTERIOR ELEVATION**

**EXTERIOR OPENING DOOR**

	PROFILE NUMBER	DESCRIPTION	QUANTITY
FRAME	M947	FIXED FRAME	2H+1W (m)
	OR M952	FRAME WITH ARMATURE	2H+1W (m)
ACCESSORIES FOR THE FRAME	MS.04	JOINT CORNER 11 X 26mm	
	OR AL.2327 "In case M 957"	JOINT CORNER 23 X 26mm	
	MO.9500	CENTRAL RUBBER SEAL	2H+1W (m)
	MO.9300	EPDM SMAL RUBBER SEAL	2H+1W (m)
	MS.08.02	DRAIN COVER	
SASH PROFILE	M966	SASH DOUBLE GLAZING	2Y+2W1 (m)
	M946	DOUBLE GLAZING CAP	2K+4T (m)
	OR M969	DOUBLE GLAZING CAP	2K+4T (m)
	OR M945	SINGLE GLAZING CAP	2K+4T (m)
	M954	"T"PROFILE 89mm	1T (m)
	M955	DOOR PANEL	1T (m)
ACCESSORIES	MO.4400	CORNER ASSEMBLY	
	MO.6300	EPDM SMAL RUBBER SEAL	2Y+1W1 (m)
	MO.6832	RUBBER SEAL	2K+4T (m)
	AL.4	RUBBER SEAL	2K+4T (m)
	MO.2000	PLASTIC ALIGNMENT CORNER	
	OR MO.54	HINGE, STANDARD	
	NF.7651/30	LOCK AND TONGUE	
		* NOTE : (m=meters) (pr.=pair)	

**EXTERIOR OPENING SINGLE CASEMENT/HOPPER WINDOW**



**EXTERIOR ELEVATION**

**SINGLE CASEMENT/HOPPER WINDOW**

FRAME	PROFILE NUMBER	DESCRIPTION	QUANTITY
	M947	FIXED FRAME	2H+2W (m)
	OR M952	FRAME WITH ARMATURE	2H+2W (m)
ACCESSORIES FOR THE FRAME	MS.0400	JOINT CORNER 11 X 26mm	
	OR AL.2327	"In case M 957"	JOINT CORNER 23 X 26mm
	MO.9500	CENTRAL RUBBER SEAL	2H+2W (m)
	MO.9300	EPDM SMAL RUBBER SEAL	2H+2W (m)
	MS.08.02	PLASTIC COVER, WEEP HOLE	
SASH	M965	SASH DOUBLE GLAZING	2Y+2W1 (m)
	M946	DOUBLE GLAZING CAP	2P+2K (m)
	OR M945	SINGLE GLAZING CAP	2P+2K (m)
	OR M969	SINGLE GLAZING CAP	2P+2K (m)
ACCESSORIES FOR THE SASH	AL.2327	CORNER22,5X26mm	
	MO.6300	EPDM SMAL RUBBER SEAL	2Y+2W1 (m)
	MO.6832	CORNER ASSEMBLY	2P+2K (m)
	AL.4	RUBBER SEAL GLAZING	2P+2K (m)
	MO.2000	PLASTIC ALIGNMENT CORNER	
	MO.22.01	END PICES FOR LATCH	
* NOTE : (m=meters) (pr.=pair)			



ART. No : **140-11-230-00** Stock No : **MS0401**

DESCRIPTION : SCREW CORNER

MATERIAL : DIE-CAST ALUMINIUM PACKAGE:250

COLOR : MILL FINISH DIMENSION:11X26 MM



ART. No : **140-00-219-00** Stock No : **ATO219**

DESCRIPTION : SCREW CORNER

MATERIAL : STEEL PACKAGE:100 - 400



ART. No : **120-38-260-00** Stock No : **MO4400**

DESCRIPTION : SCREW CORNER

MATERIAL : ALUMINIUM PACKAGE:200

COLOR : MILL FINISH



ART. No : **125-23-266-00**

DESCRIPTION : SCREW CORNER

MATERIAL : ALUMINIUM

COLOR : MILL FINISH



ART. No : **125-38-416-00**

DESCRIPTION : SCREW CORNER

MATERIAL : ALUMINIUM

COLOR : MILL FINISH



ART. No : **180-19-000-00** Stock No : **MO1900**

DESCRIPTION : ALIGNMENT CORNER

MATERIAL : STEEL PACKAGE:1 - 20X500



ART. No : **180-20-000-00** Stock No : **MO2000**

DESCRIPTION : ALIGNMENT CORNER

MATERIAL : POLYAMIDE PACKAGE:2000

COLOR : BLACK



ART. No : **170-60-561-00** Stock No : **MD605061**

DESCRIPTION : CORNER PIECE ROUND GLAZING BEAD

MATERIAL : DIE-CAST ALUMINIUM PACKAGE:100 - 400

COLOR : MILL FINISH, WHITE, BLACK, BROWN





ART. No : **300-00-944-00**

Stock No : **MO9700**

DESCRIPTION : END COVER

MATERIAL : POLYAMIDE

PACKAGE:200

COLOR : BLACK



ART. No : **300-00-964-00**

Stock No : **MO9800**

DESCRIPTION : END COVER

MATERIAL : POLYAMIDE

PACKAGE:200

COLOR : BLACK



ART. No : **300-09-544-00**

Stock No : **ALUSOI**

DESCRIPTION : END COVER

MATERIAL : POLYAMIDE

PACKAGE:130

COLOR : BLACK

PROFILE:M9544



ART. No : **180-00-550-00**

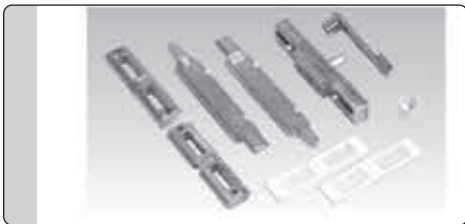
Stock No : **MP0055**

DESCRIPTION : ALIGNMENT CORNER

MATERIAL : POLYAMIDE

PACKAGE:300

COLOR : BLACK



ART. No : **474-22-001-00**

Stock No : **MO2201**

DESCRIPTION : DEAD BOLT LATCH



ART. No : **480-00-094-00**

DESCRIPTION : KIT FOR WINDOW HANDLE

PACKAGE:80



ART. No : **350-54-000-02**

Stock No : **MO5400**

DESCRIPTION : HINGE

MATERIAL : AUMINIUM

PACKAGE:100

COLOR : WHITE, BLACK



ART. No : **440-73-521-00**

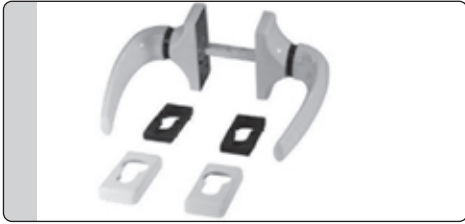
Stock No : **FFAI73521**

DESCRIPTION : LOCKER

MATERIAL : STEEL

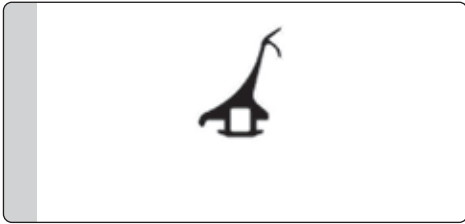
PACKAGE:25

COLOR : SILVER



ART. No : <b>455-05-020-00</b>	Stock No : <b>XM0502</b>
DESCRIPTION : DOOR HANDLE WHITE ROSETTES	
COLOR : <b>WHITE - BLACK</b>	PACKAGE:1 - 24

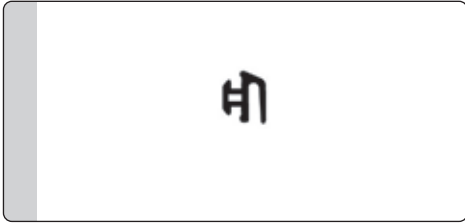
**GASKETS :**



ART. No : <b>210-00-950-00</b>	Stock No : <b>MO9500</b>
DESCRIPTION : CENTRAL GASKET	
MATERIAL : <b>EPDM</b>	
COLOR : <b>BLACK</b>	



ART. No : <b>220-00-930-00</b>	Stock No : <b>MO9300</b>
DESCRIPTION : GASKET	
MATERIAL : <b>EPDM</b>	
COLOR : <b>BLACK</b>	



ART. No : <b>220-63-000-00</b>	Stock No : <b>MO6300</b>
DESCRIPTION : GASKET	
MATERIAL : <b>EPDM</b>	
COLOR : <b>BLACK</b>	



ART. No : <b>200-68-230-00</b>	Stock No : <b>MO6832</b>
DESCRIPTION : GLAZING GASKET 3 mm	
MATERIAL : <b>PVC</b>	
COLOR : <b>BLACK</b>	



ART. No : <b>210-74-006-01</b>	Stock No : <b>MO6666</b>
DESCRIPTION : CENTRAL GASKET	
MATERIAL : <b>EPDM</b>	
COLOR : <b>BLACK</b>	