



P100 Office

P200 Office Structural

Product line for interior partitioning, distinguished by multiform aesthetics and easy fabrication methodology.

- 70 mm partition width.
- 48 dB soundproofing.
- Option of single or double glazing use.
- Surfaces designed to remain dust-free.
- Cooperates with INTERNO interior doors or any other door available in the market.
- Option of installing adjustable blinds using a concealed mechanism.
- Option of concealing electrical current, phone, and data cables in the systems profiles.
- Option of low partition construction, without anchorage on a ceiling.
- Also available in a structural I version.

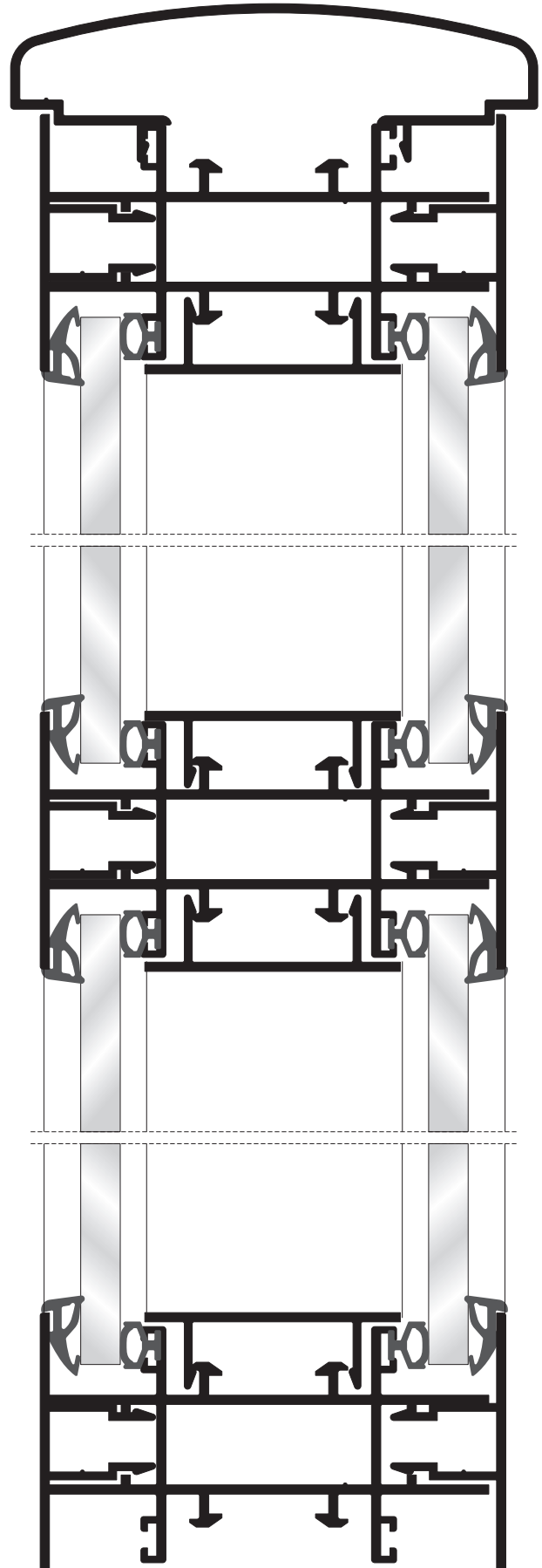
Construction Options:

- Interior partitions, with one or two glazing layers.
- Interior doors by INTERNO, whose frames are installed on separate columns that enhance sturdiness.
- Angular constructions, in fixed or variable angles.
- Low partitions, without anchorage on a ceiling.
- Electrical or data sockets can be integrated in the construction, while concealing their cables inside the profiles.

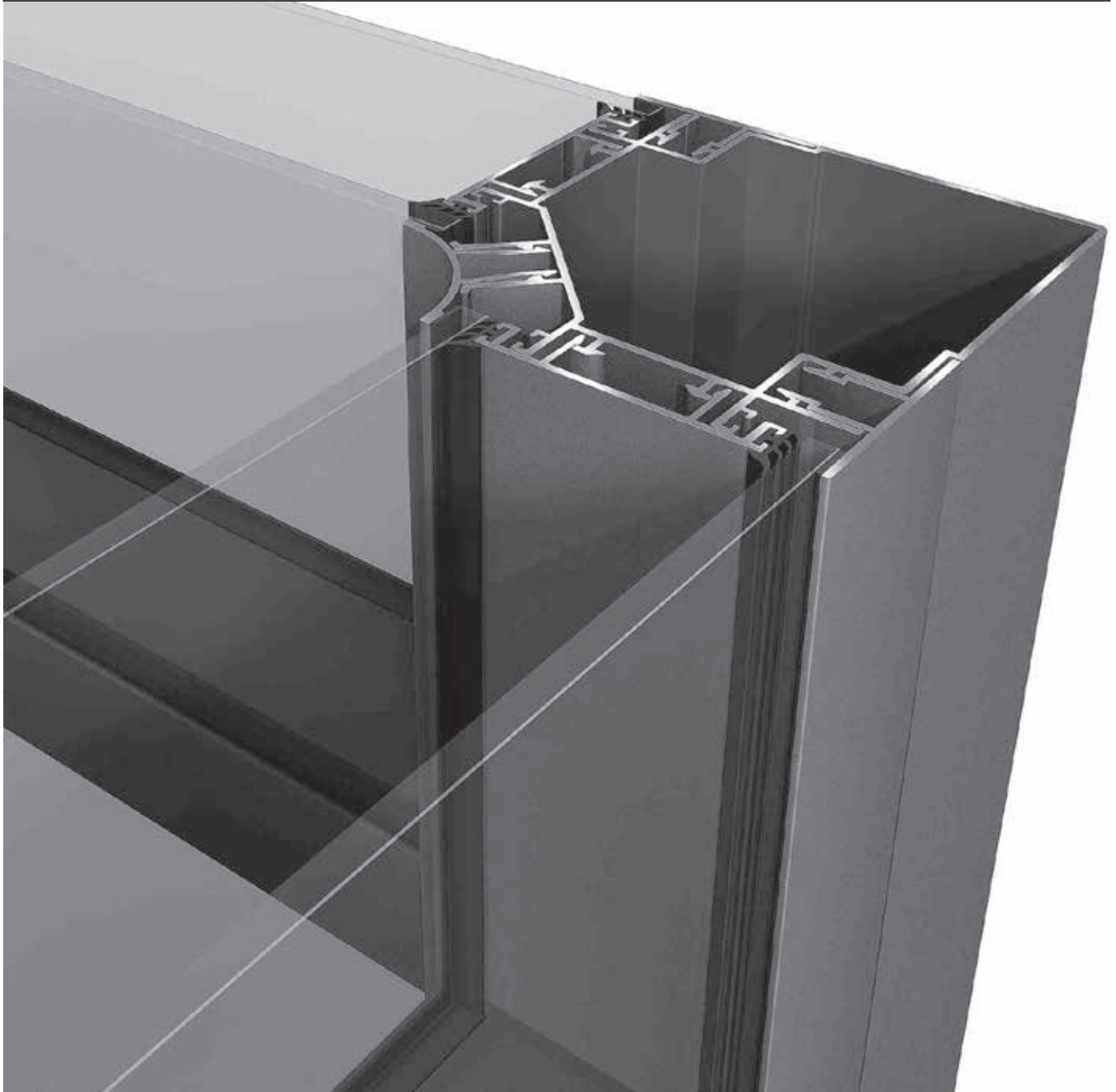
Certifications:

- The design, the production process, and the quality control of all profiles produced by Alumil are certified with ISO 9001.
- The process of electrostatic powder coating is certified by QUALICOAT and RAL (GSB) in all plants operated by Alumil.

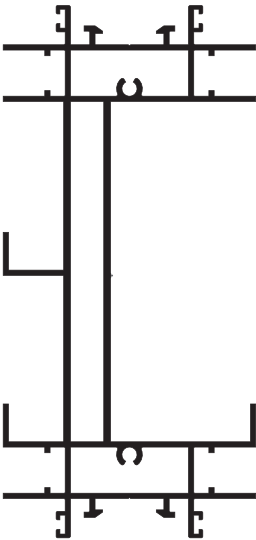

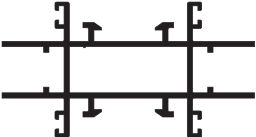


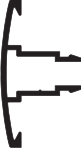




Note: official test certificates may be sent upon request.



Technical characteristics



Aluminum alloy	AlMgSi (EN AW 6063)
Hardness	12 Websteror 70 HB minimum
Minimum Powder Coating Thickness	75 minimum
Profile thickness (min-max)	1,4-1,8 mm
Profile Geometry Control	EN DIN 12020-2 Compliant
Basic width	70 mm
Glazing depth	Single or double from 10 up to 26mm

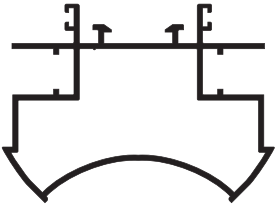
PROFILE	Profile No Weight (gr/m)	X mm Y mm	PROFILE	Profile No Weight (gr/m)	X mm Y mm
	P 114 2728	66.80 140.80		P 115 700	17.50 156.70
	P 100 982	66.80 35.80		P 109 658	66.80 29.30
	P 103 332	66.80 11.60		P 101 331	21.50 39.00
	P 104 328	58.30 11.60		P 102 264	17.50 39.00
	P 105 324	49.80 11.60		P 112 312	17.50 51.80

PROFILE Profile No
Weight (gr/m) X mm
Y mm



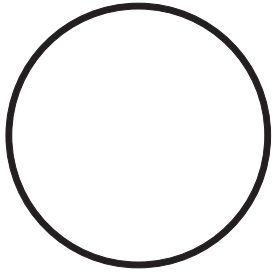
P 106
595

80.00
24.05



P 110
1137

72.00
52.50

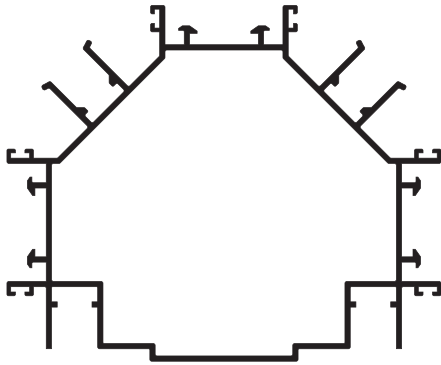


T 35
871

70.00
70.00

P 128
2188

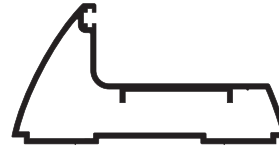
94.10
114.80



P 131
264

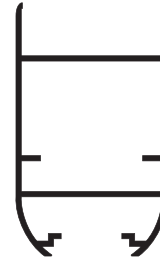
23.20
35.70

PROFILE Profile No
Weight (gr/m) X mm
Y mm



P 121
836

73.00
37.10



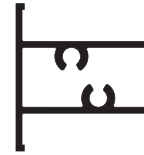
M 0012
901

40.00
66.97



M 0010
188

24.35
12.60

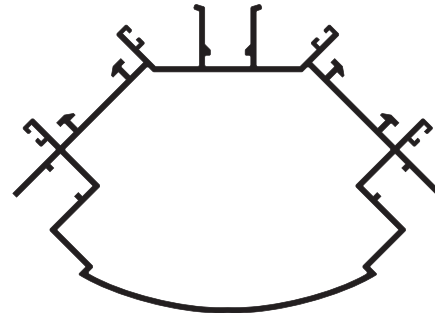


M 0015
772

39.00
36.40

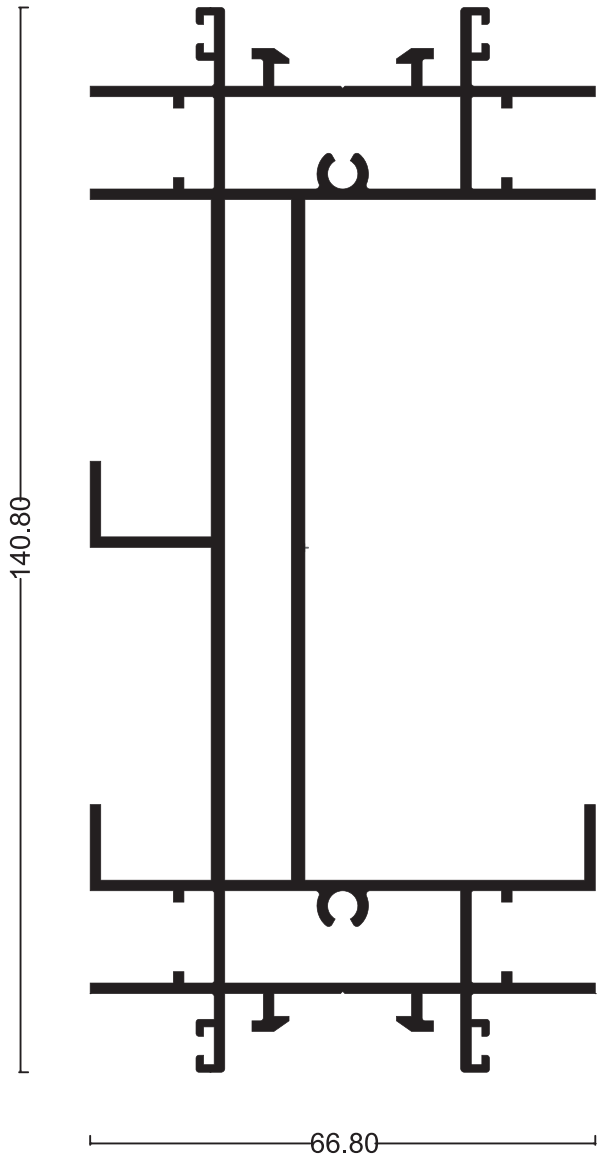
P 126
1723

113.70
82.00



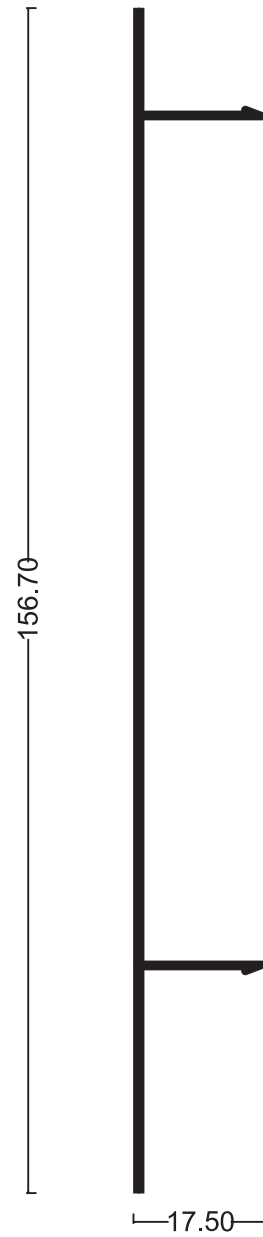
P 114
W = 2728 gr/m

**Special Frame For
Electric Cables**



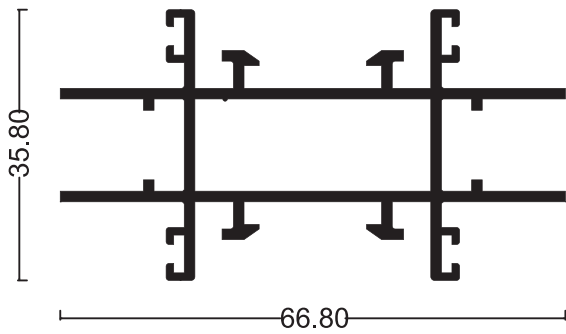
P 115
W = 700 gr/m

Cover Profile



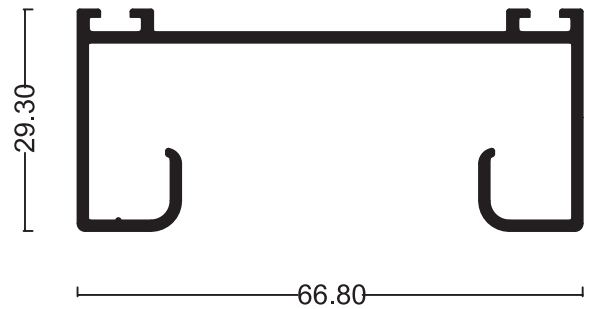
P 100
W = 982 gr/m

Basic Frame



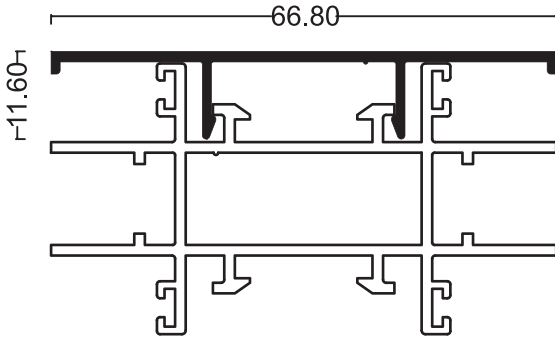
P 109
W = 658 gr/m

Profile For Leveling



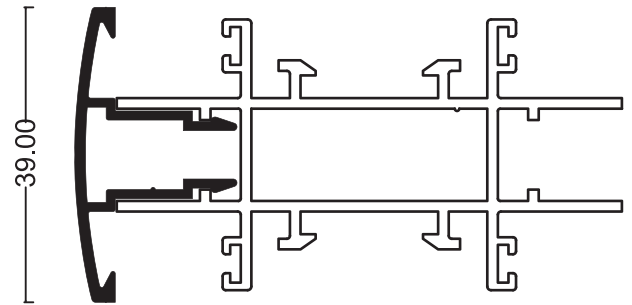
P 103 **Cover For Basic Frame**

W = 332 gr/m



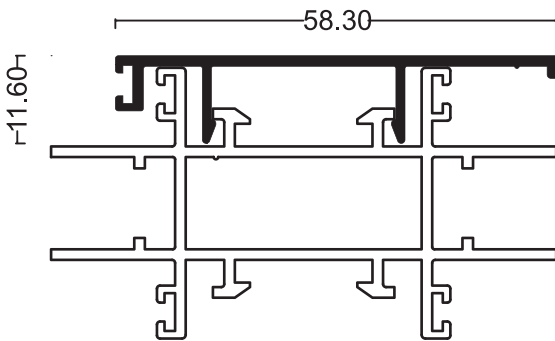
P 101 **Glazing Bed**

W = 331 gr/m



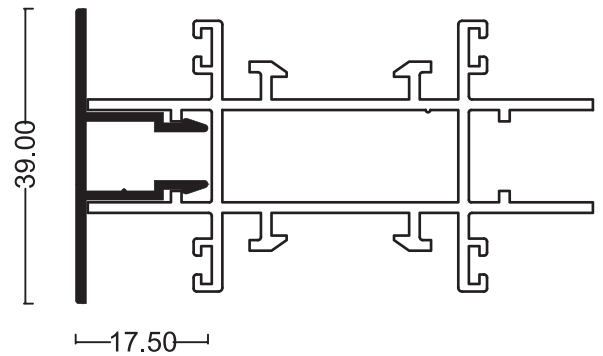
P 104 **Cover For Single
Glazing 4 : 6 mm**

W = 328 gr/m



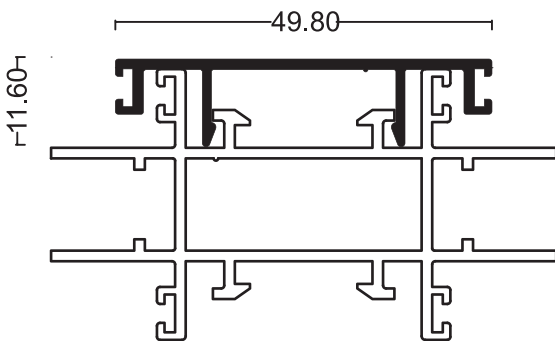
P 102 **Glazing Bed**

W = 264 gr/m



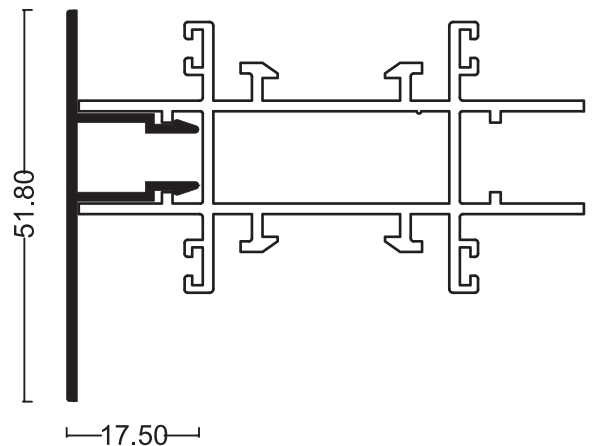
P 105 **Cover For Double
Glazing 4 : 6 mm**

W = 324 gr/m



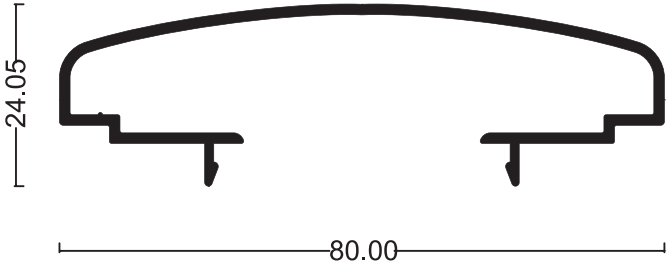
P 112 **Glazing Bed**

W = 312 gr/m



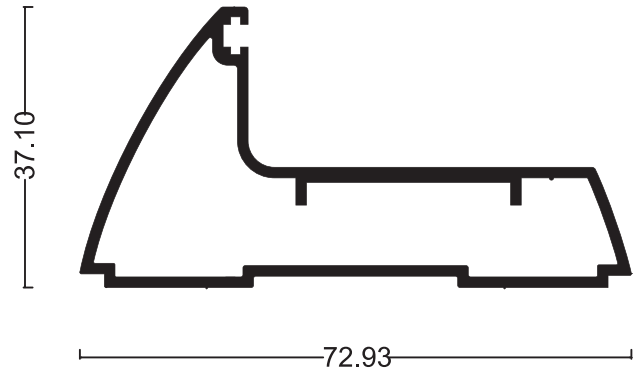
P 106 Cover Profile

W = 596 gr/m



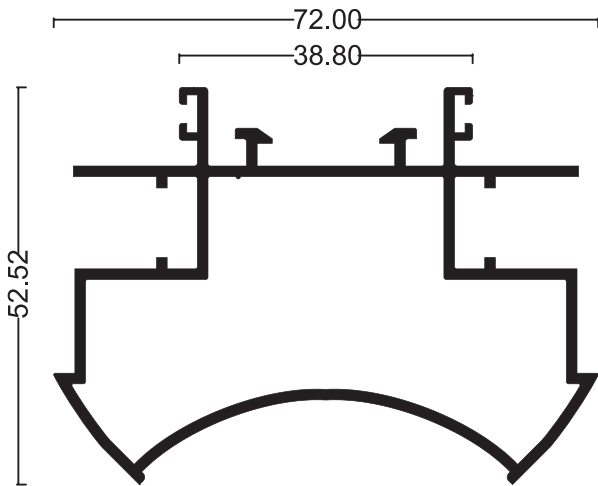
P 121 Frame

W = 836 gr/m



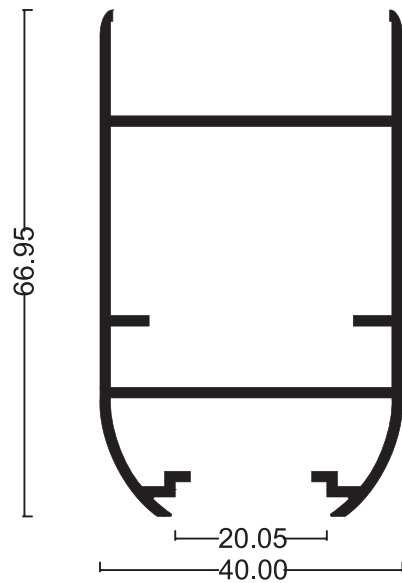
P 110 Special Frame For Tube

W = 1137 gr/m



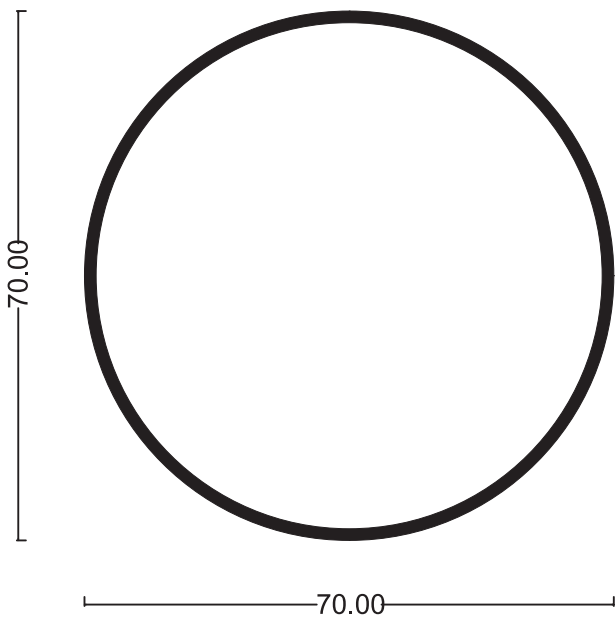
M 0012 Sash

W = 901 gr/m



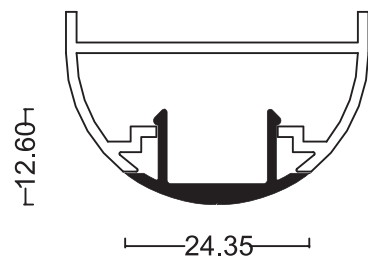
T 35 Tube

W = 871 gr/m



M 0010 Cover Profile For Sash

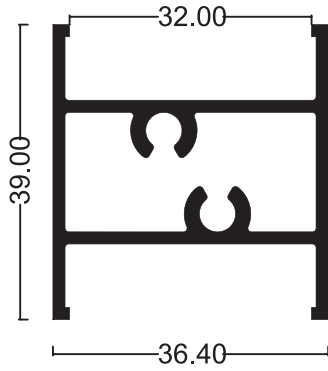
W = 188 gr/m



M 0015

W = 772 gr/m

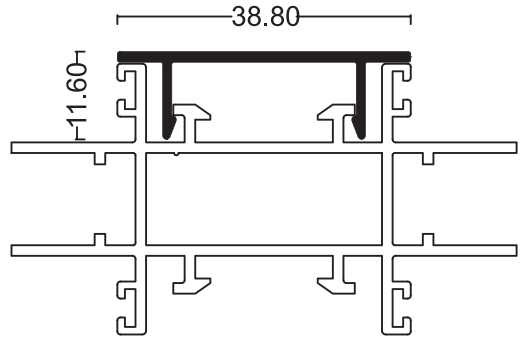
**" T " Profile
For Sash**



P 135

W = 216 gr/m

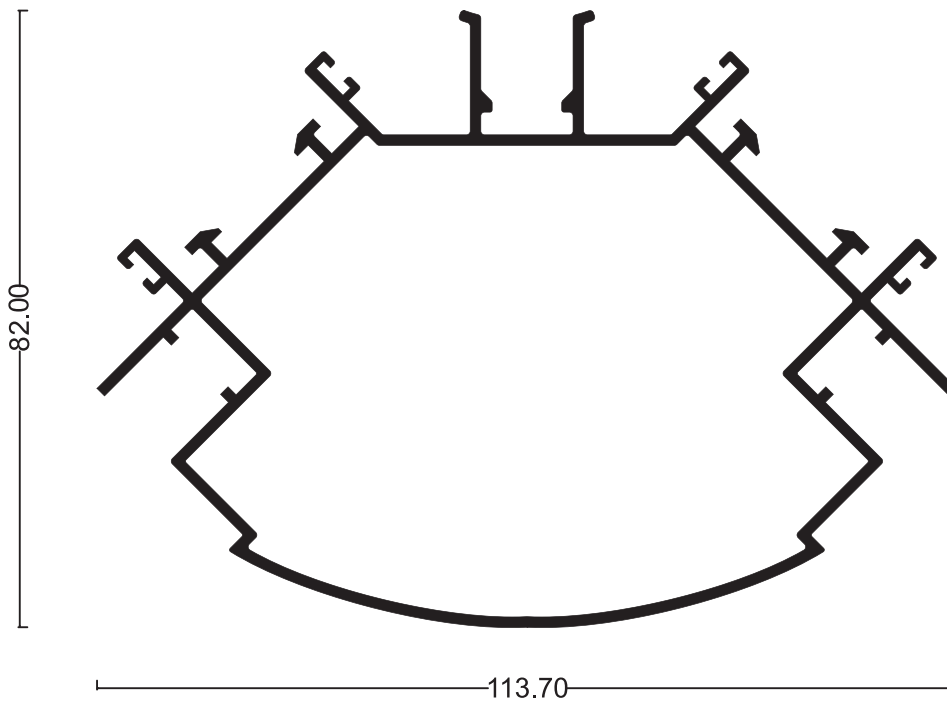
**Cover For Double
Glazing 8:10 mm**



P 126

W = 1723 gr/m

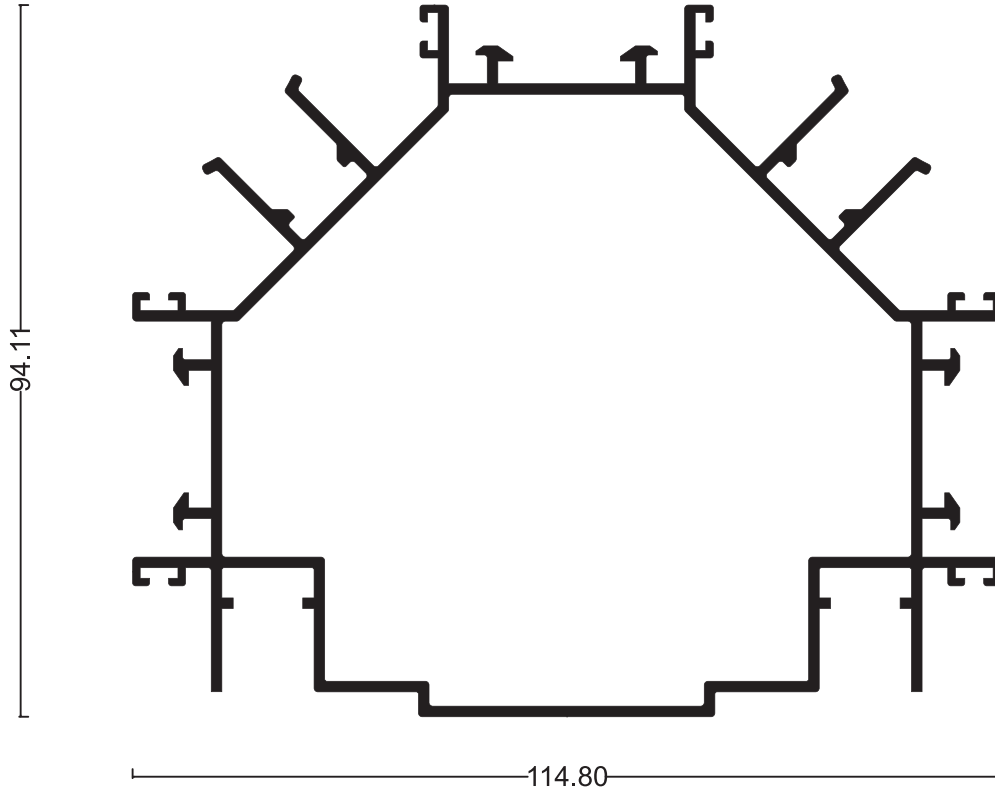
Round Column For 90°



P 128

W = 2188 gr/m

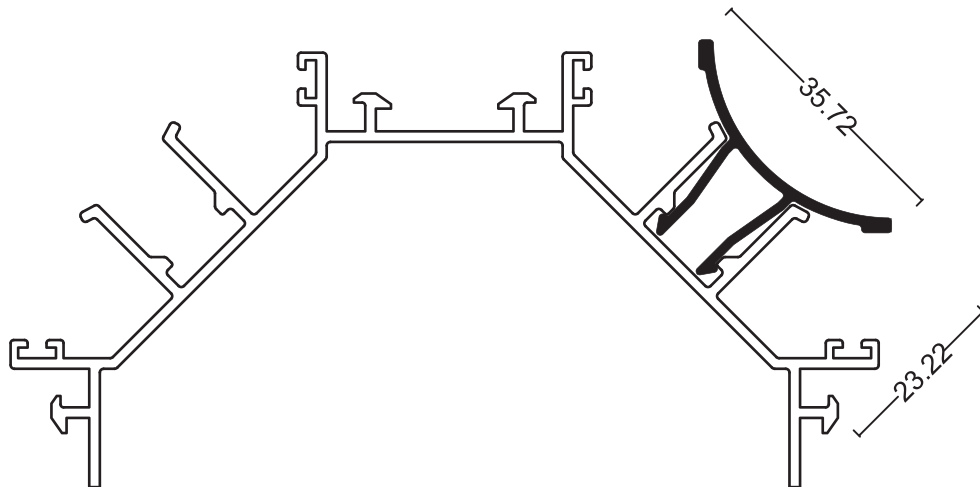
Square Column For 90°



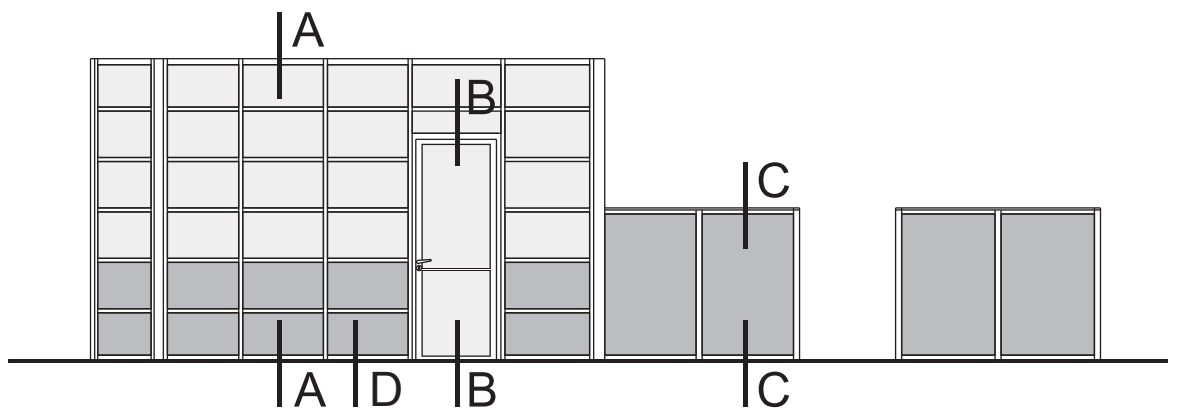
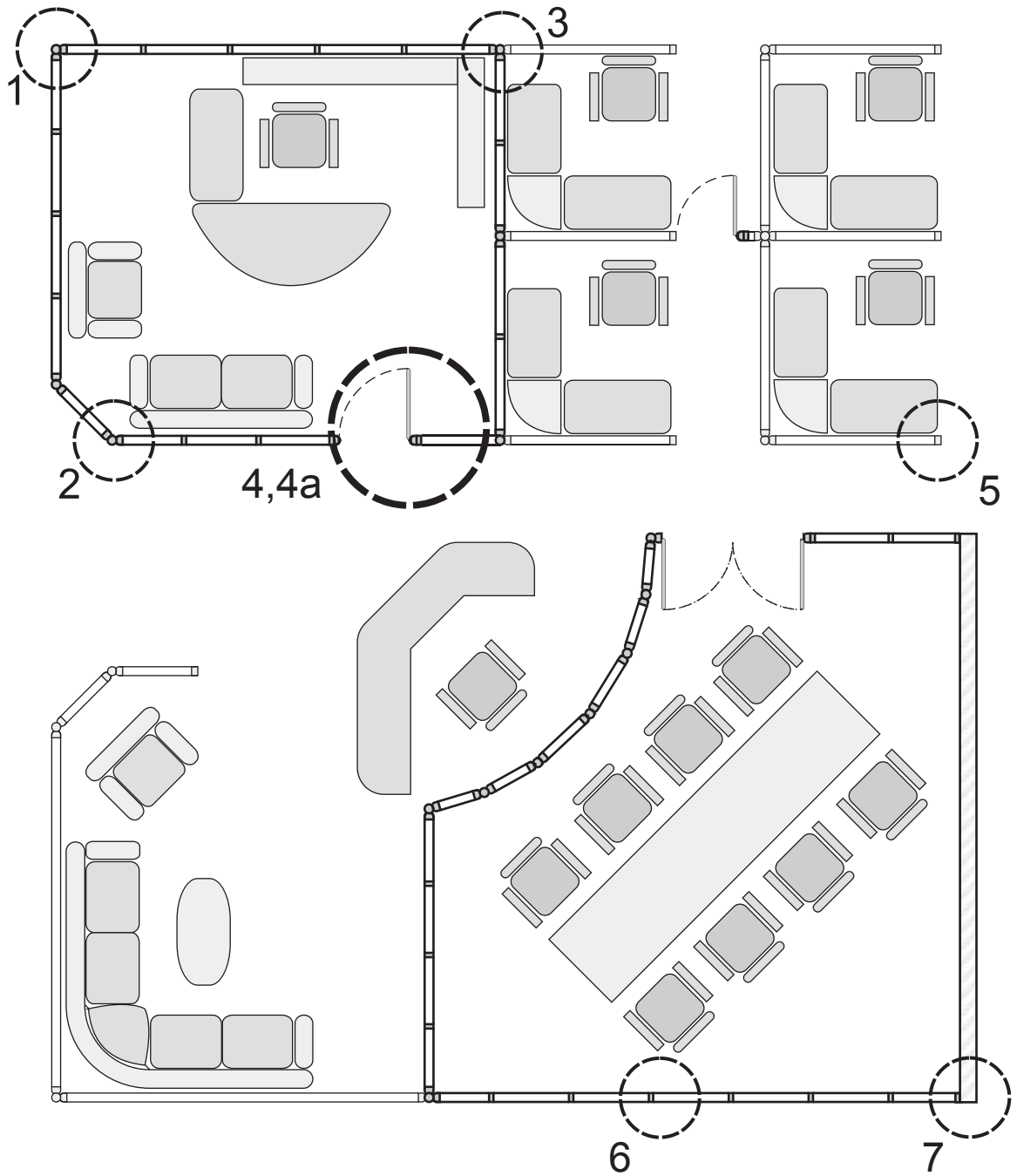
P 131

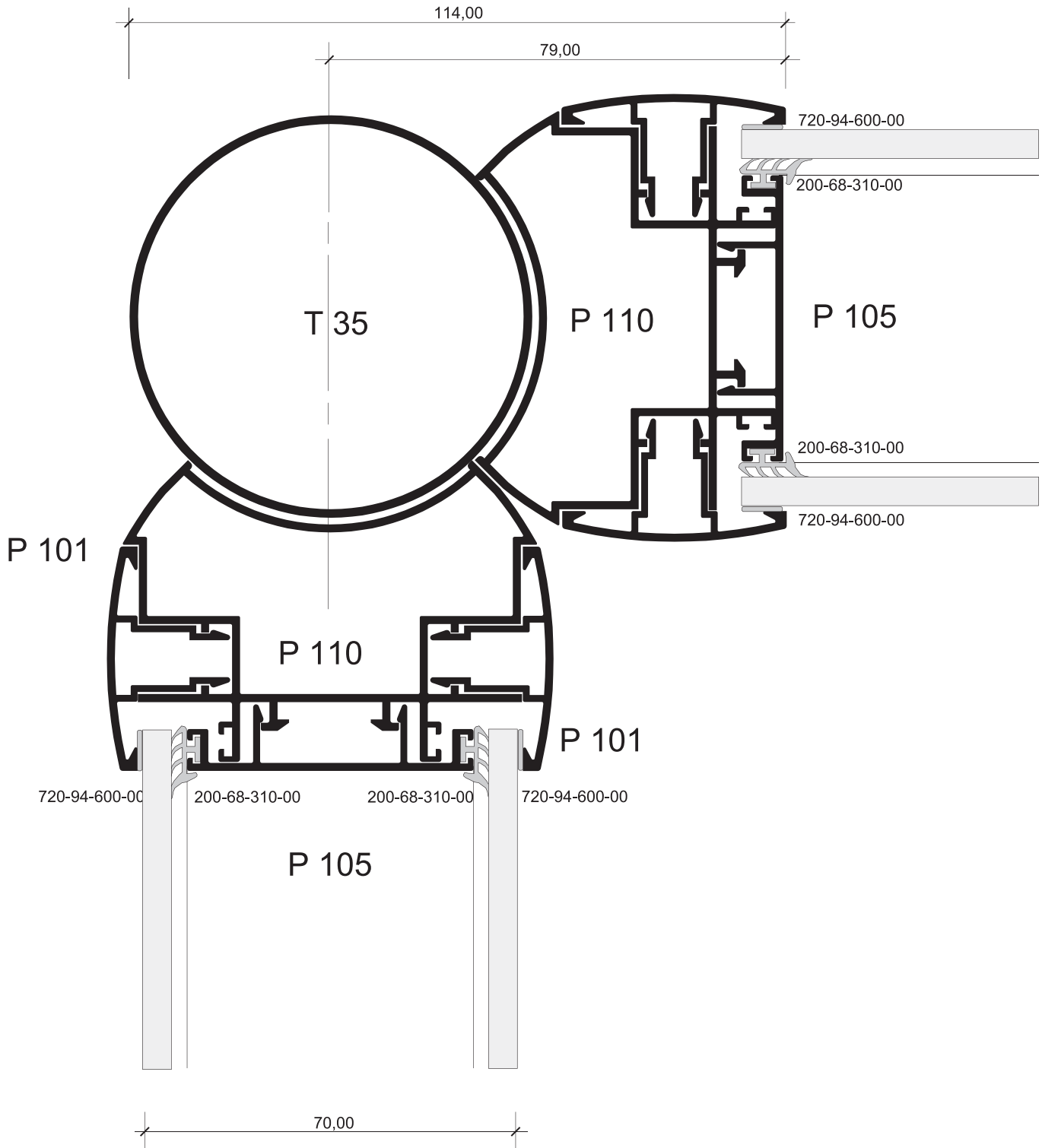
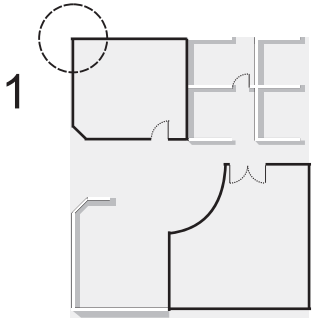
W = 264 gr/m

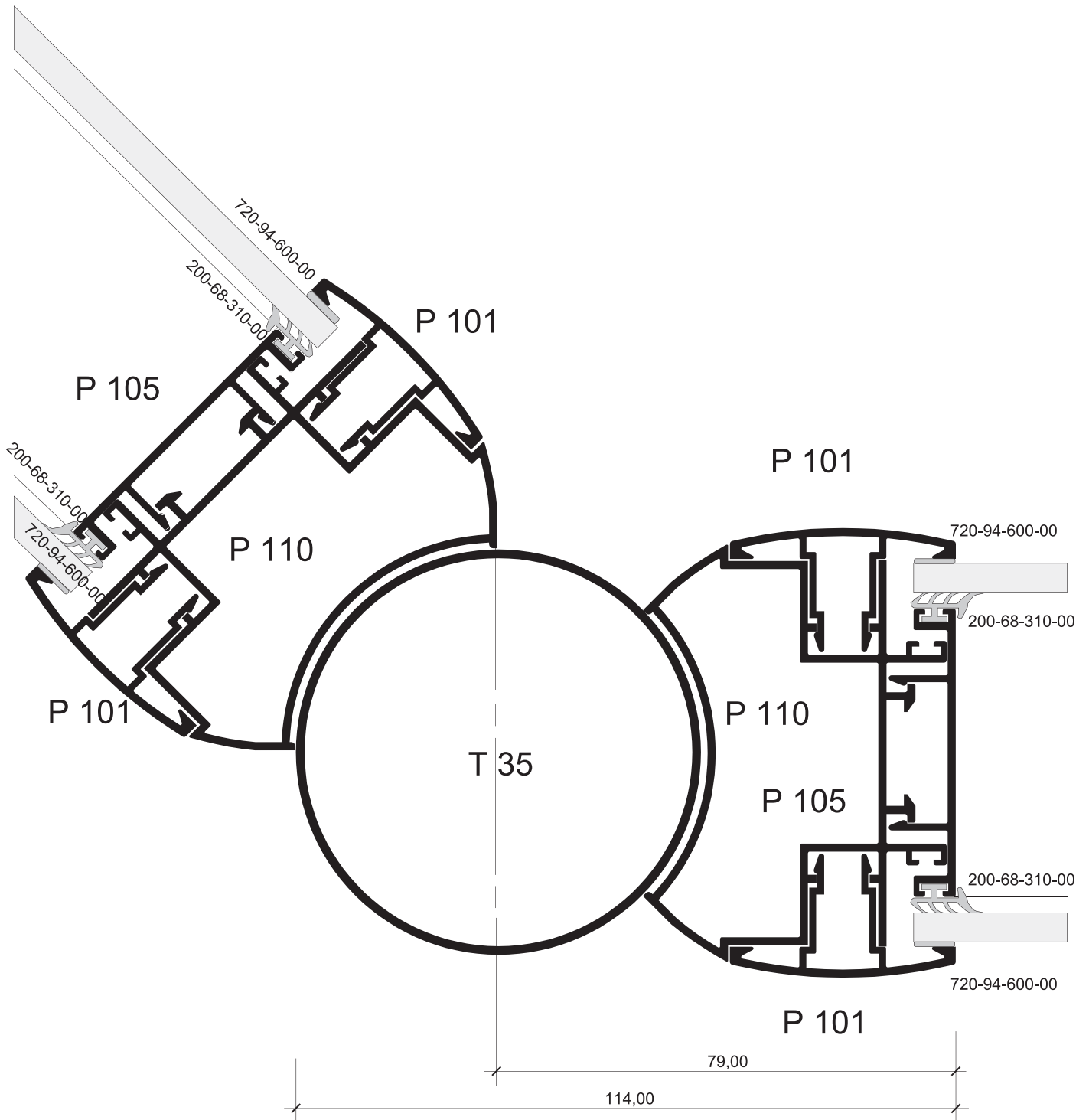
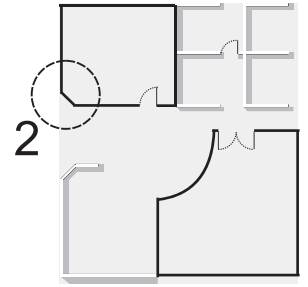
**Glazing Bed For
Square Column**

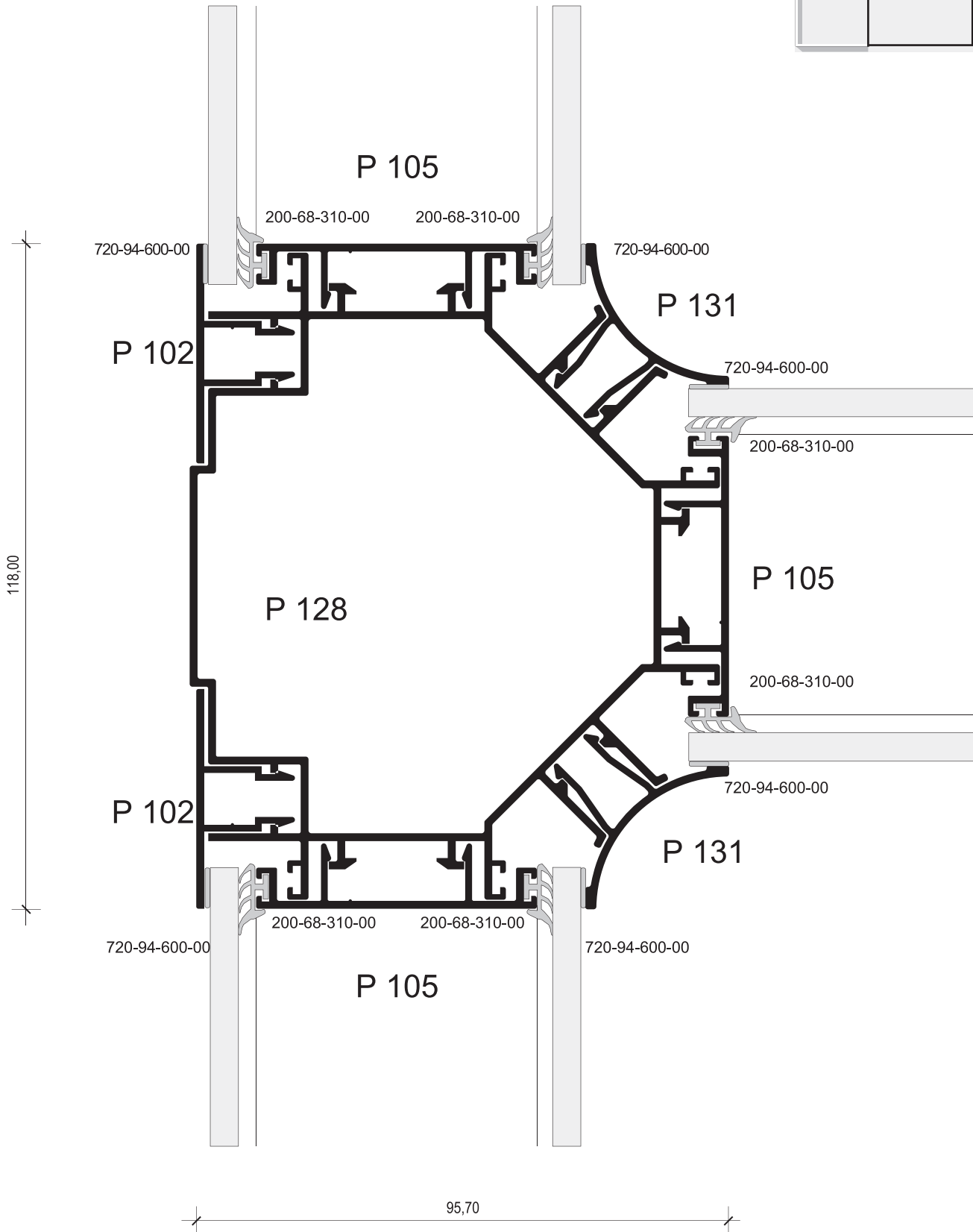
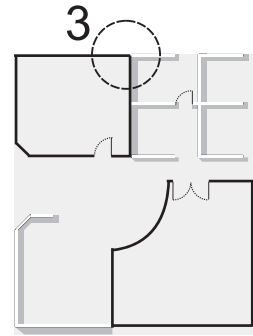


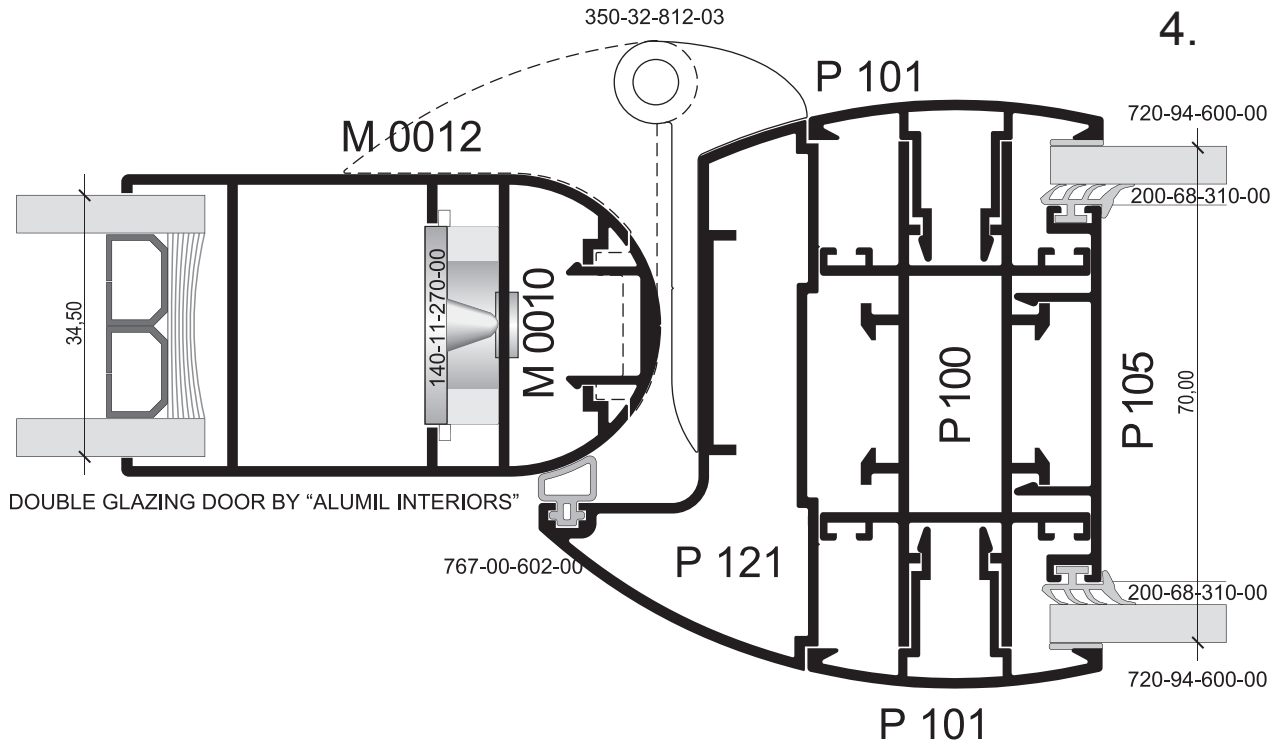
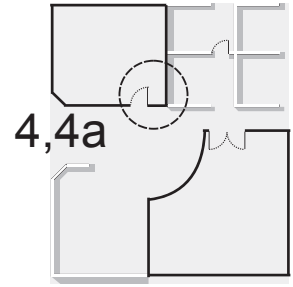
TYPICAL OFFICE PLAN



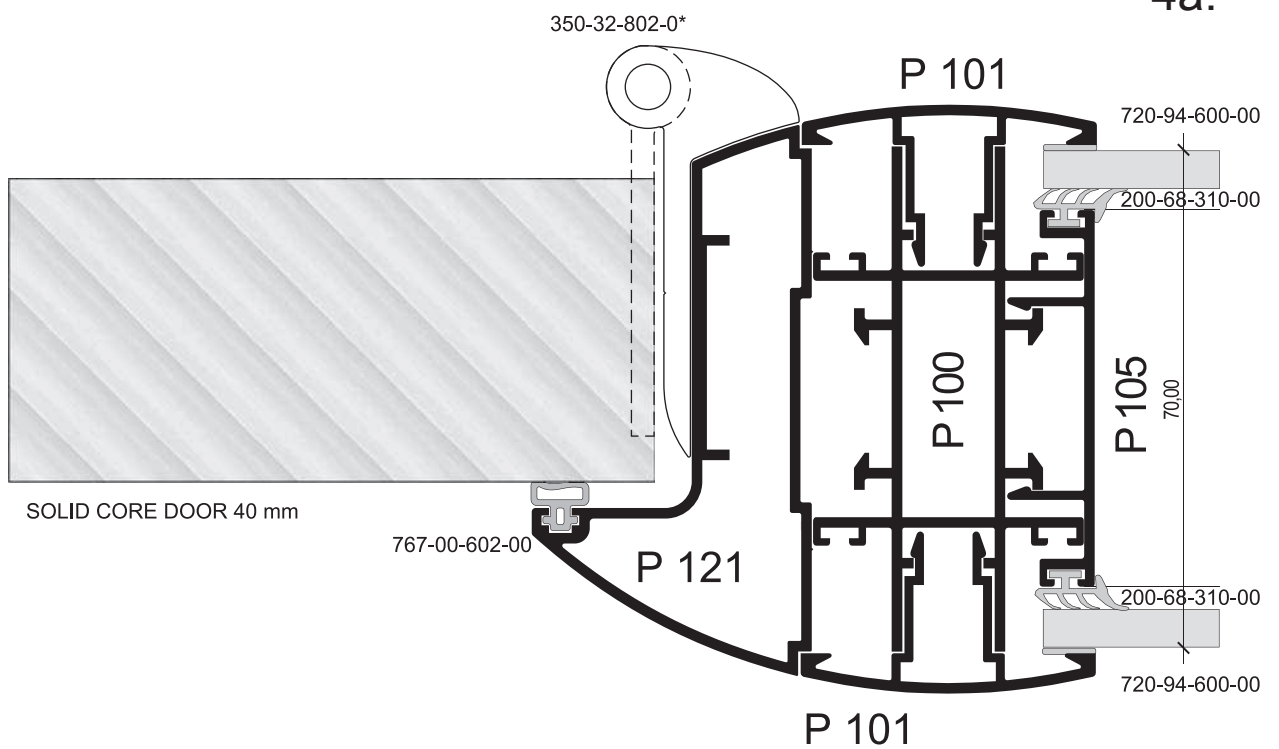




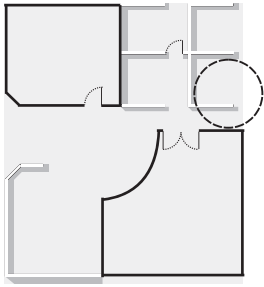




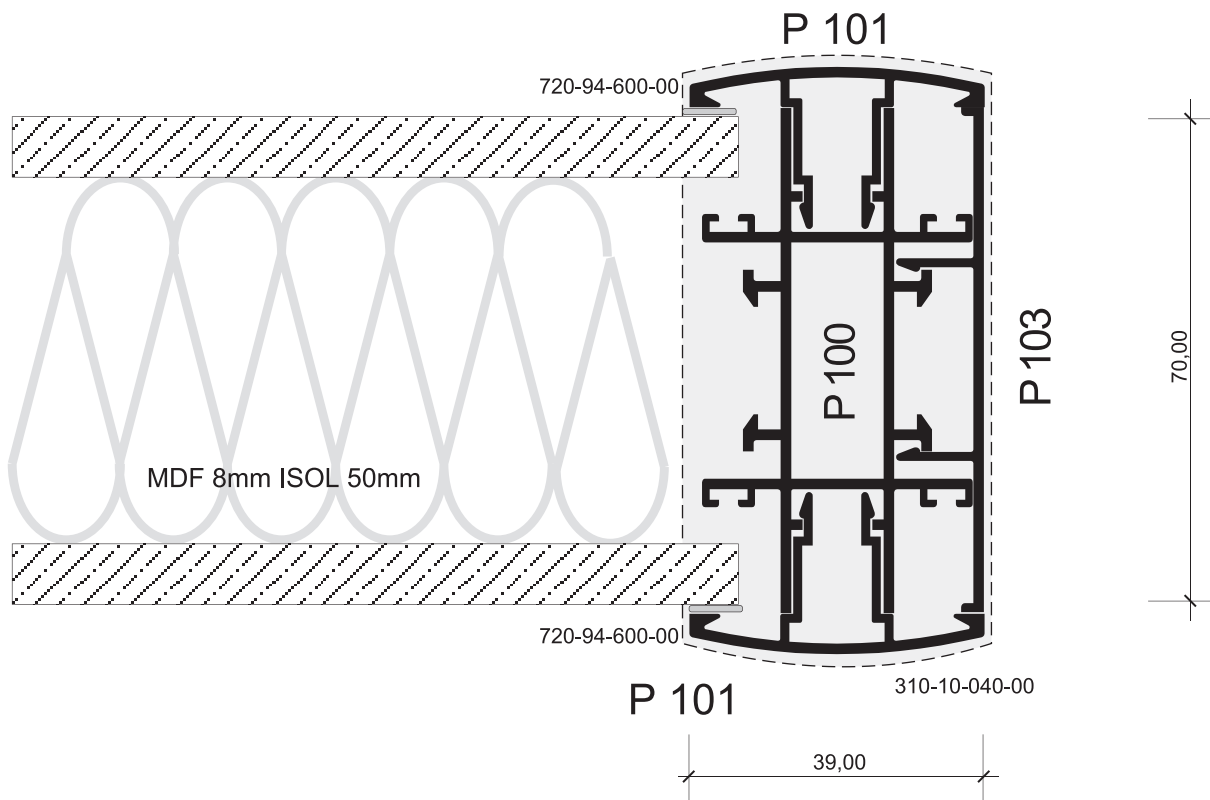
4.

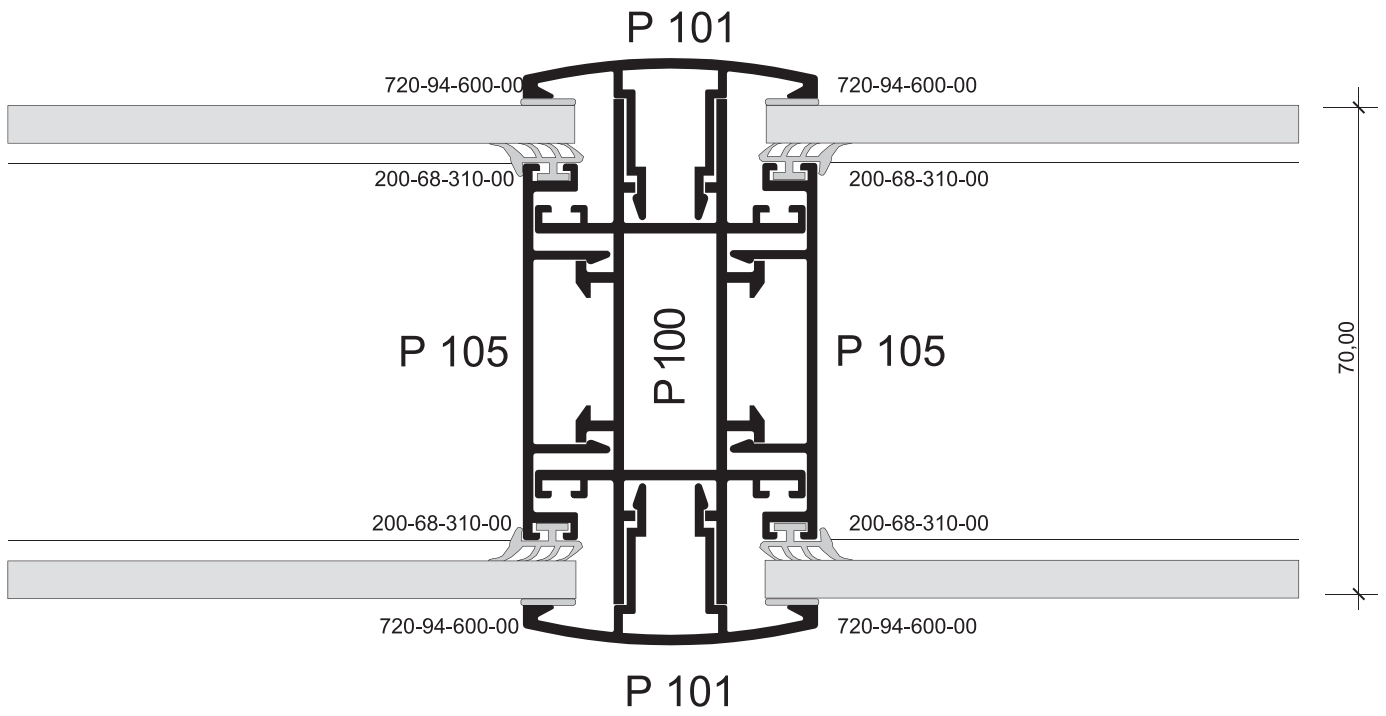
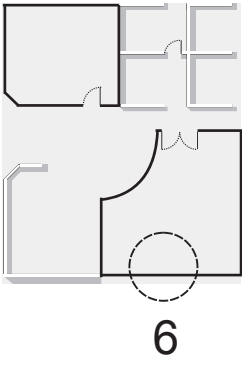


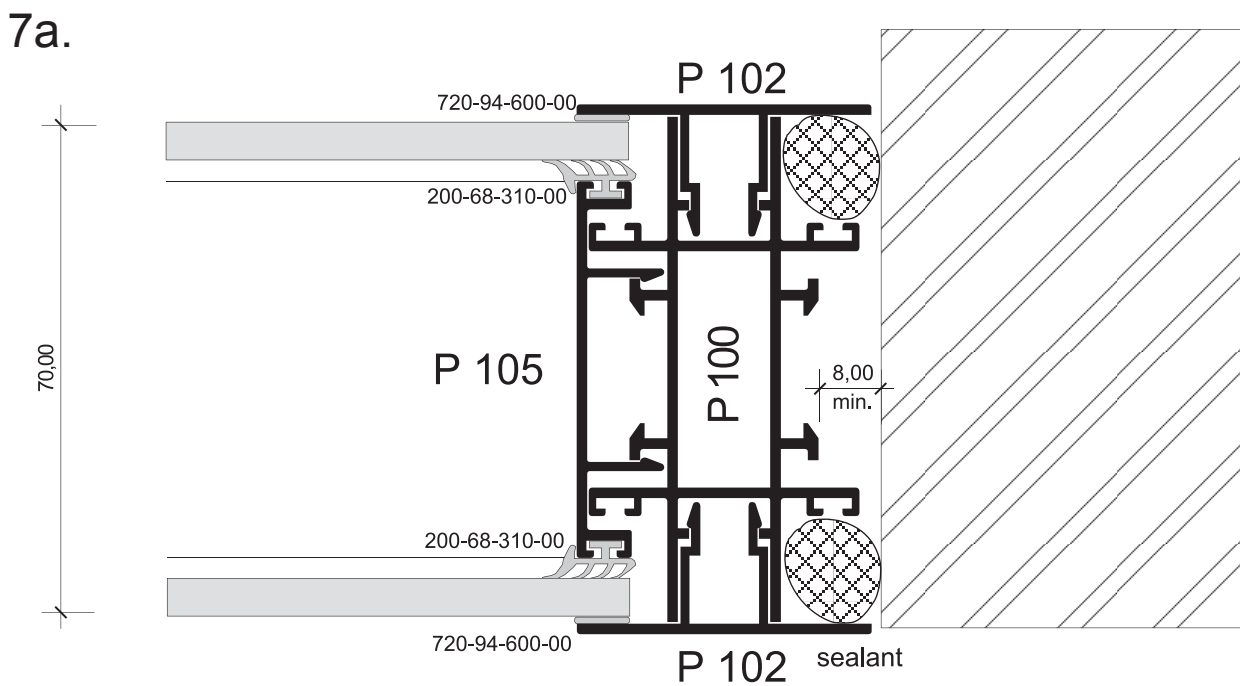
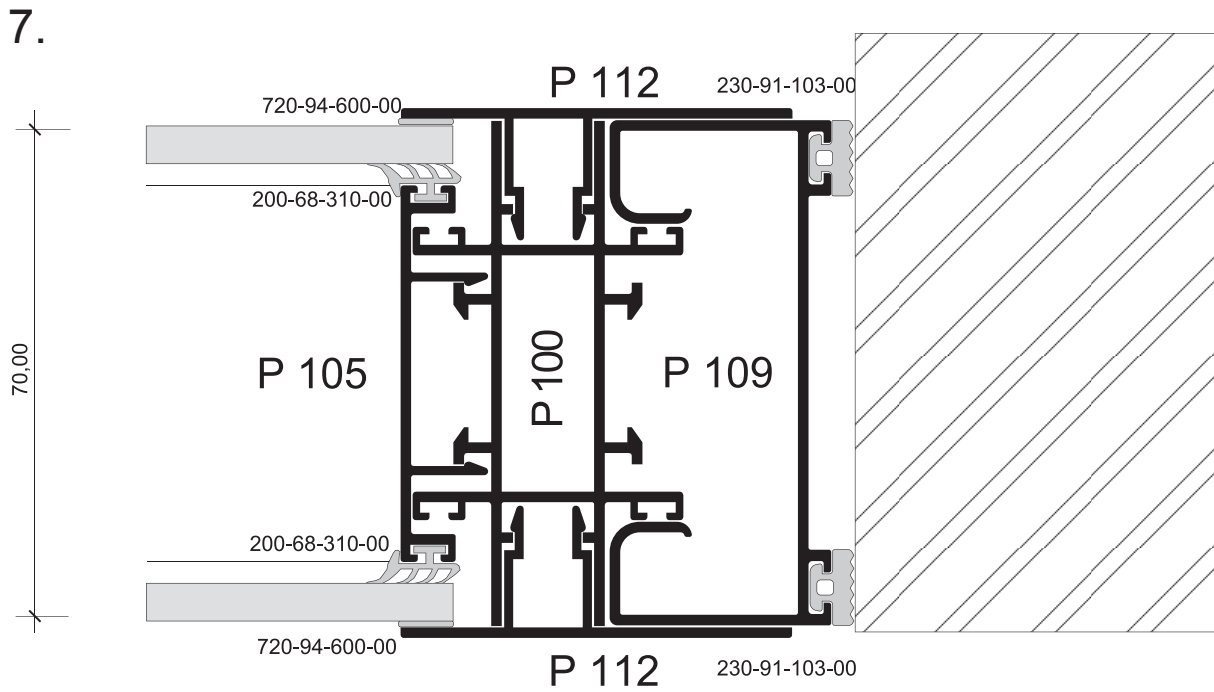
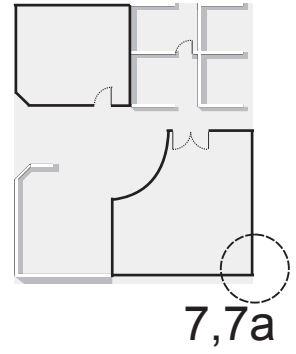
4a.

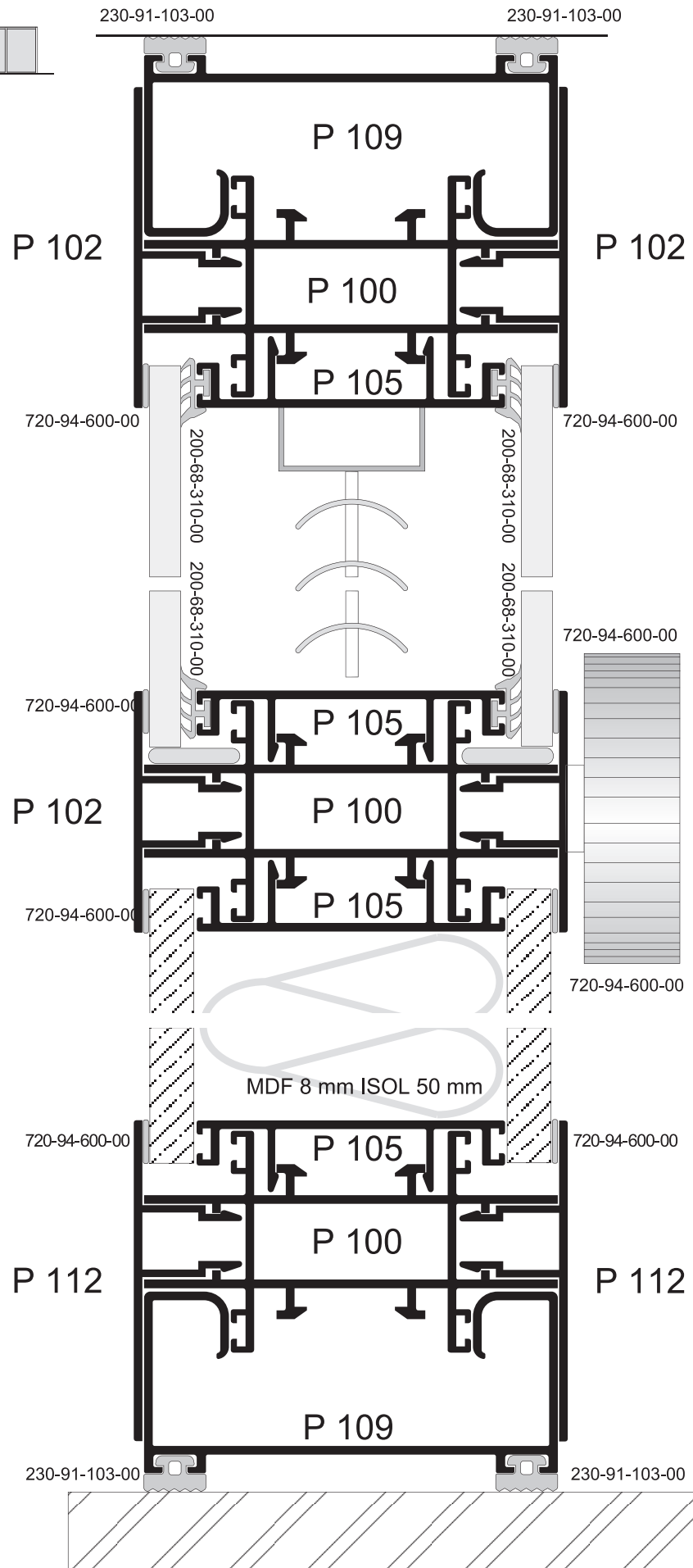
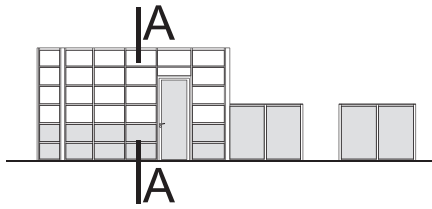


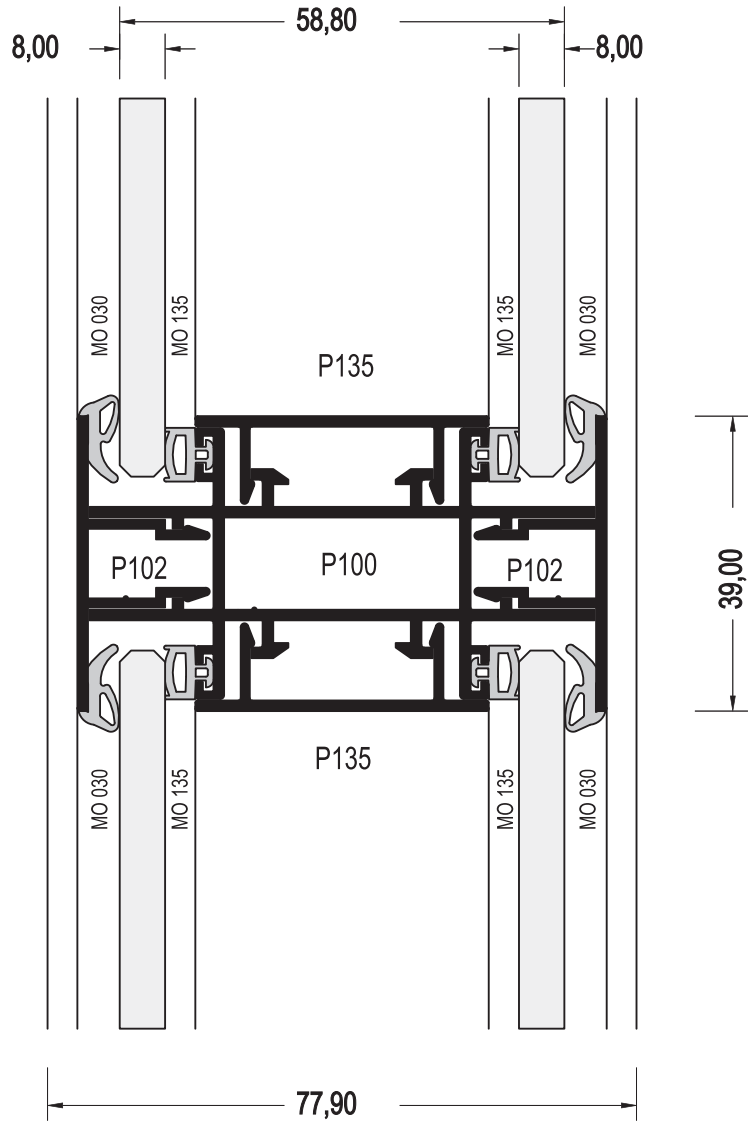
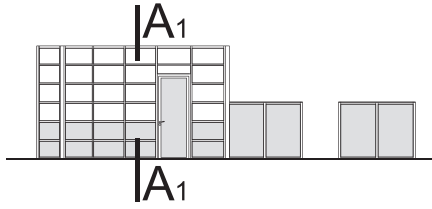
5

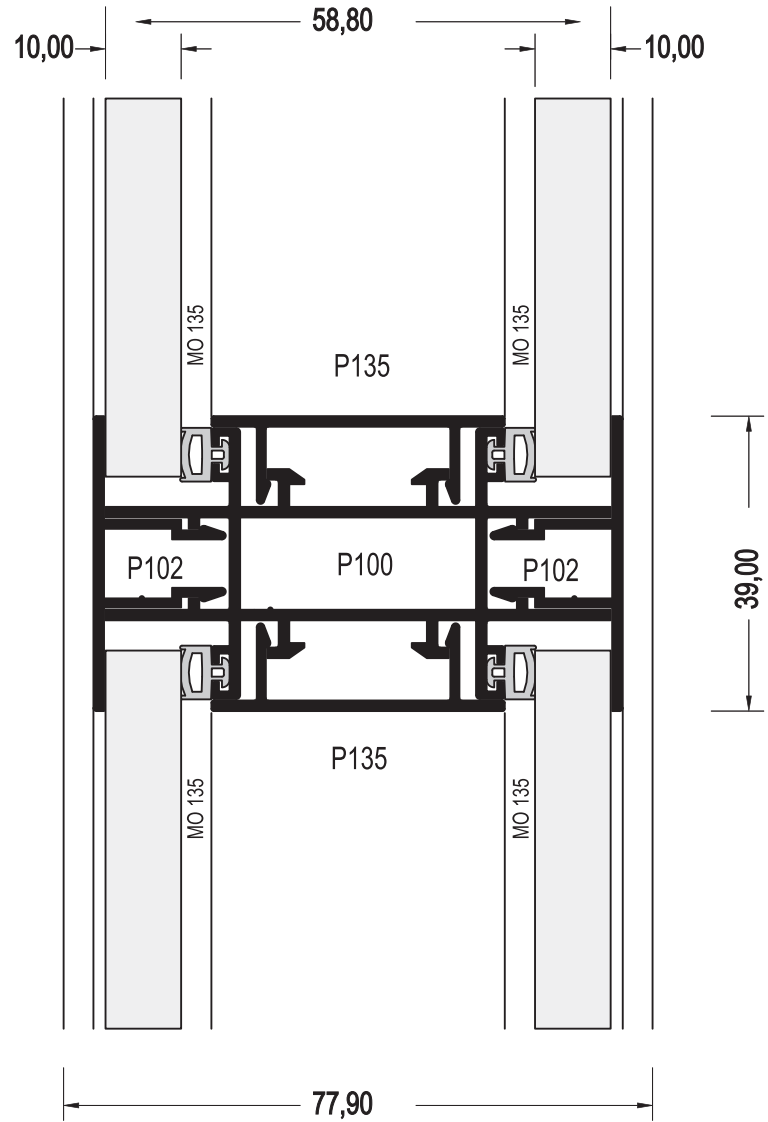
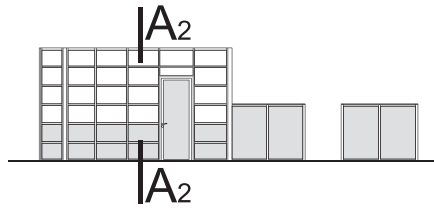


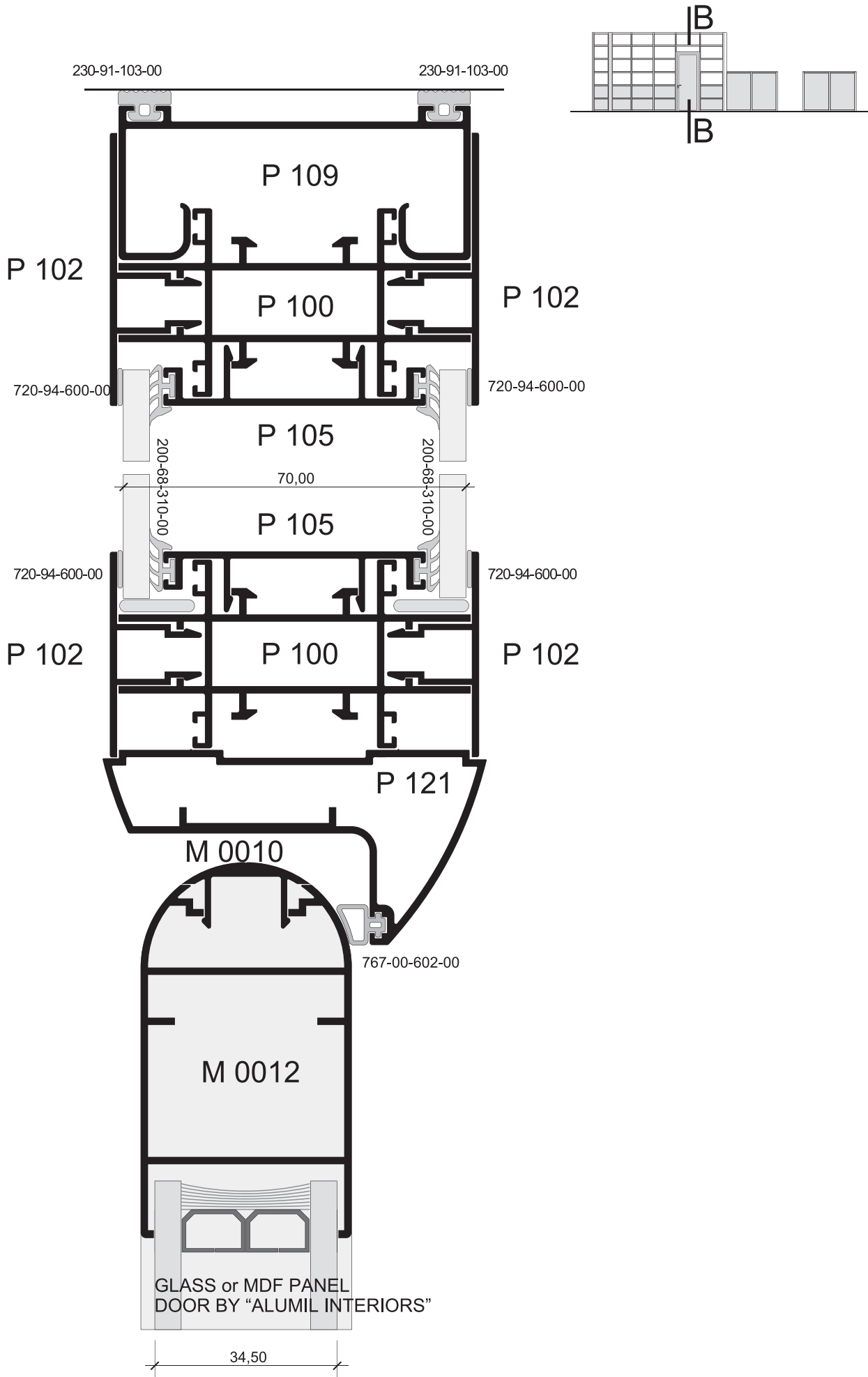


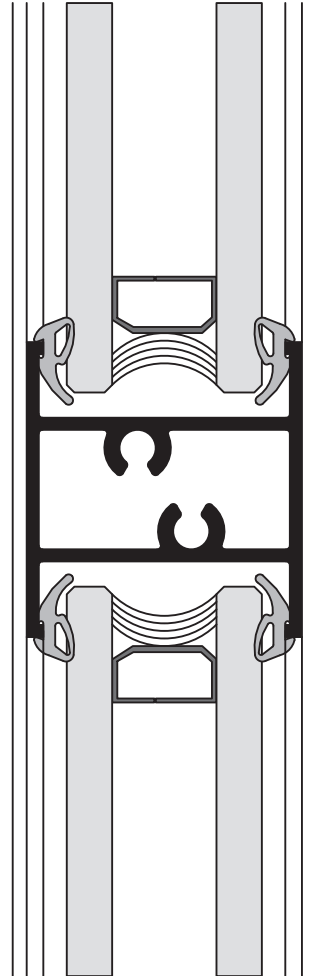
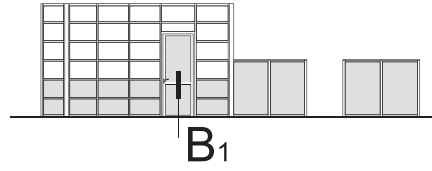




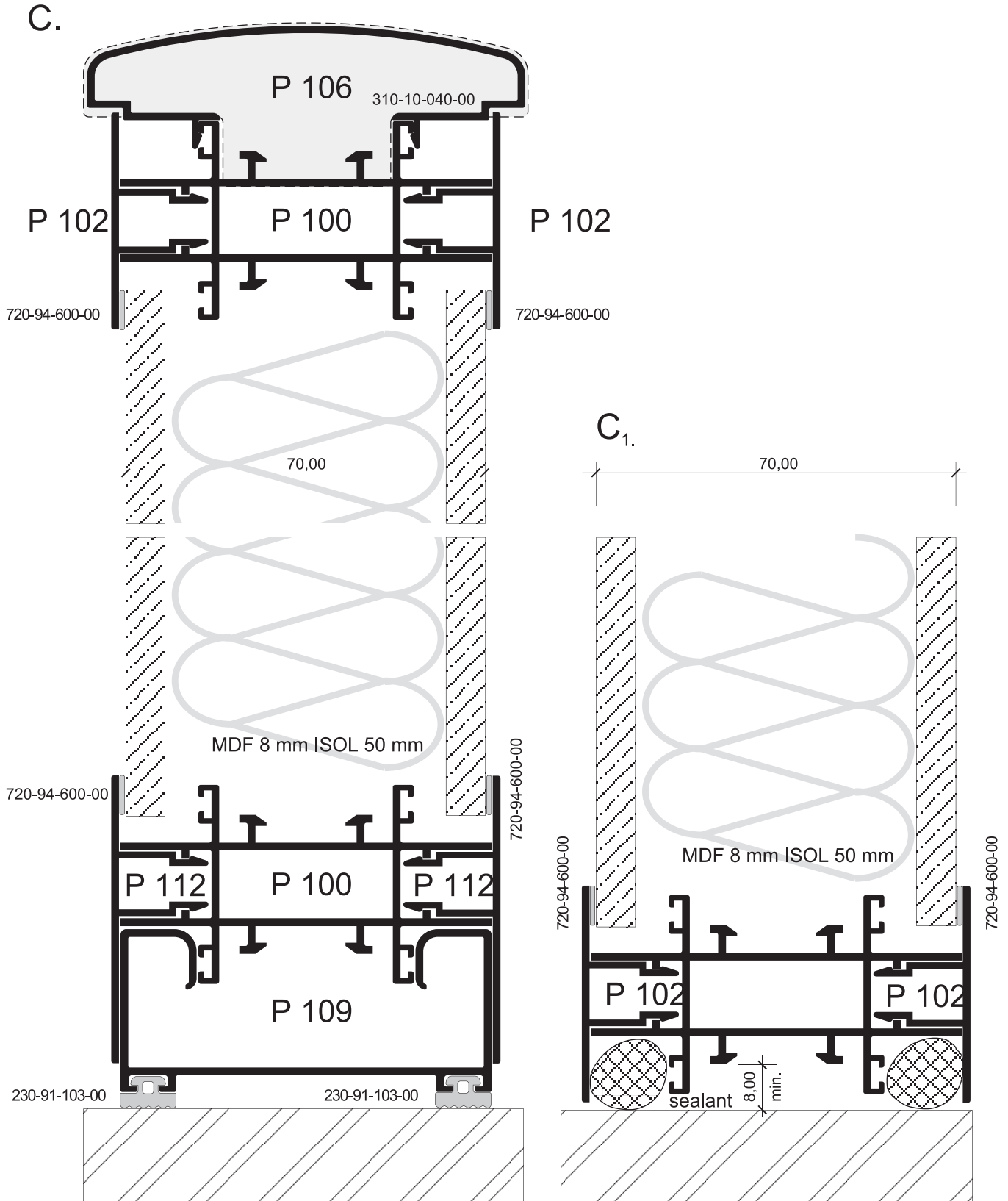
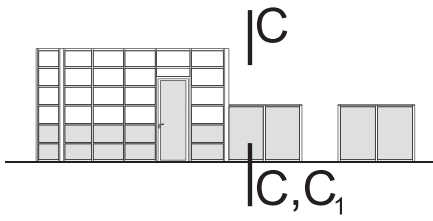


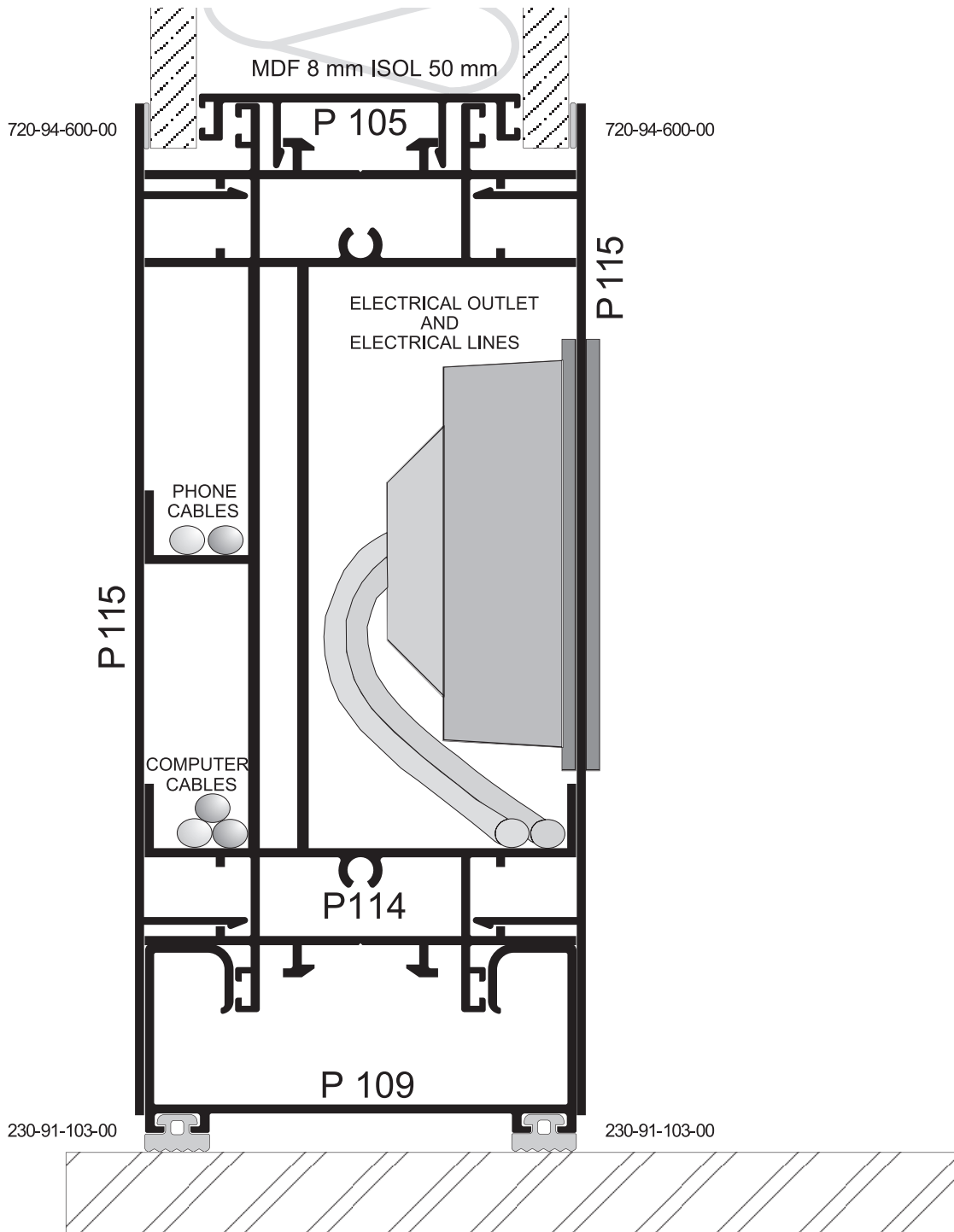
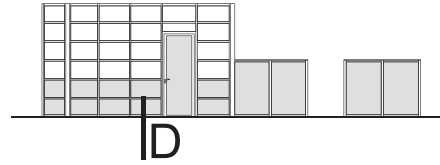




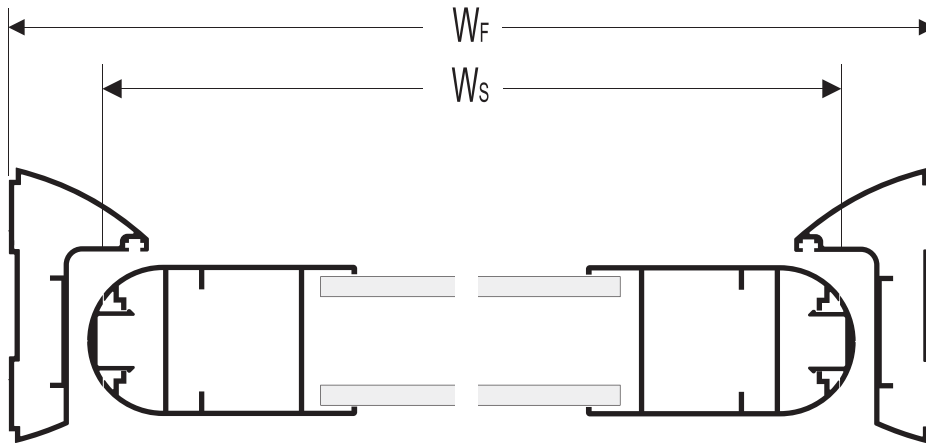


M 0015





DOOR

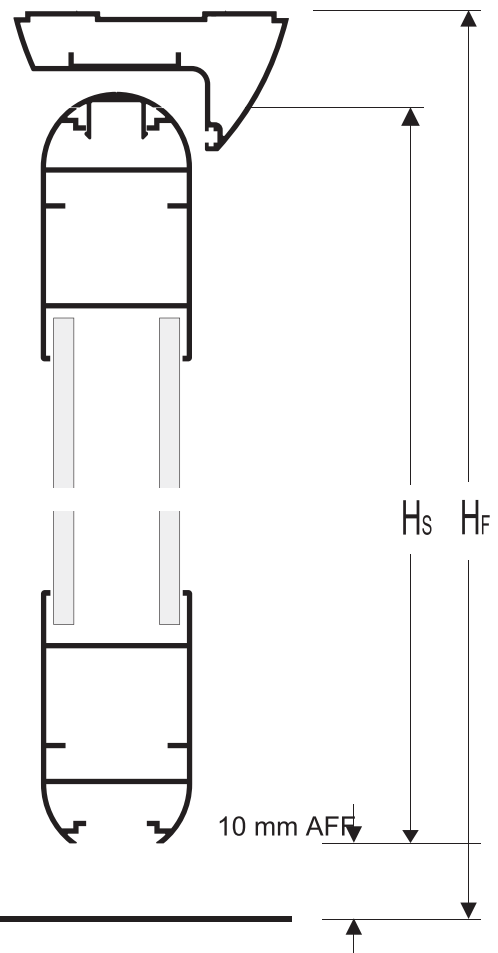


WIDTH OF SASH

$$W_S = W_F - 52\text{mm}$$

HEIGHT OF SASH

$$H_S = H_F - 36\text{mm}$$





ART. No :	140-11-260-00	Stock No :	MS0400
DESCRIPTION :	SCREW CORNER		
MATERIAL :	DIE CAST ALUMINIUM	PACKAGE:	250
COLOR:	MILL FINISH	DIMENSION :	11 X 26 mm



ART. No :	140-11-270-00	Stock No :	MS0402
DESCRIPTION :	SCREW CORNER		
MATERIAL :	DIE CAST ALUMINIUM	PACKAGE:	250
COLOR:	MILL FINISH	DIMENSION :	10,2 X 34,2 mm



ART. No :	160-10-060-00	Stock No :	P10060
DESCRIPTION :	T - CONNECTOR FOR OFFICE		
MATERIAL :	STEEL	PACKAGE:	150



ART. No :	350-32-811-02	Stock No :	
DESCRIPTION :	HINGE FOR INTERIOR DOORS, ROUND LEAF		
MATERIAL :	ALUMINIUM	PACKAGE:	40
COLOR:	WHITE		



ART. No :	310-10-020-00	Stock No :	PO01002
DESCRIPTION :	END COVER		
MATERIAL :	POLYAMIDE	PACKAGE:	10 - 200
COLOR:	BLACK / BEIGE / GREY		

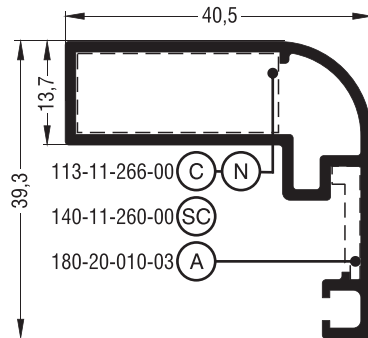


ART. No :	310-10-030-00	Stock No :	PO01003
DESCRIPTION :	END COVER		
MATERIAL :	POLYAMIDE	PACKAGE:	10 - 200
COLOR:	BLACK / BEIGE / GREY		

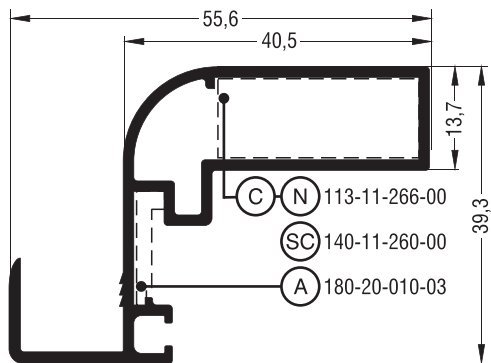


ART. No :	310-10-040-00	Stock No :	PO01004
DESCRIPTION :	END COVER		
MATERIAL :	POLYAMIDE	PACKAGE:	10 - 200
COLOR:	BLACK / BEIGE / GREY		

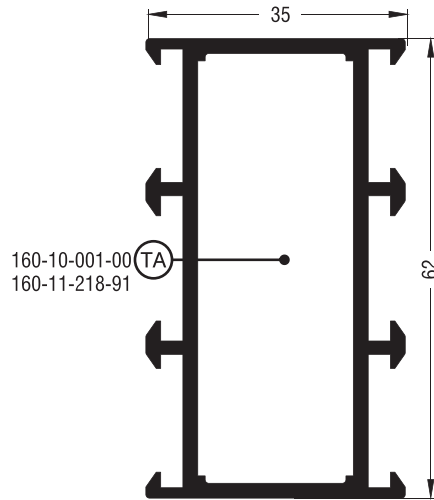
	<p>ART. No: 200-68-310-00 Stock No: MO6831</p> <p>DESCRIPTION: GLAZING GASKET 3 mm</p> <p>MATERIAL: PVC COLOR: BLACK</p>
	<p>ART. No: 200-68-310-01 Stock No: BMPC1866</p> <p>DESCRIPTION: GLAZING GASKET 5-6 mm</p> <p>MATERIAL: PVC COLOR: BLACK</p>
	<p>ART. No: 200-68-320-00 Stock No: MO6832</p> <p>DESCRIPTION: GLAZING GASKET 3 mm</p> <p>MATERIAL: PVC COLOR: BLACK</p>
	<p>ART. No: 230-91-103-00 Stock No: SOL91103</p> <p>DESCRIPTION: GASKET 3 mm</p> <p>MATERIAL: EPDM COLOR: BLACK</p>
	<p>ART. No: 767-00-602-00 Stock No: INT602</p> <p>DESCRIPTION: GASKET FOR INTERIOR DOORS</p> <p>MATERIAL: EPDM COLOR: BLACK</p>



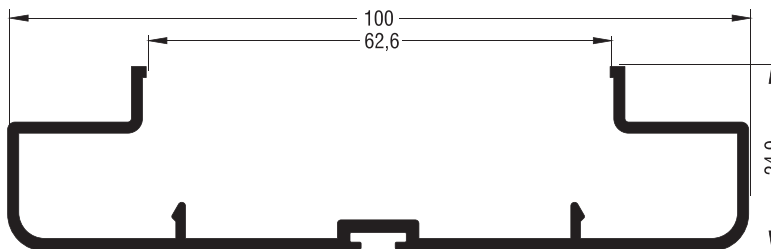
P133	
Sash	
External perimeter	187 mm
Primary perimeter	81 mm
Moment of inertia x-x	2,67 cm ⁴
Moment of inertia y-y	3,94 cm ⁴
Weight	563 gr/m
Crimp nail cleat	113-11-266-00
Cast spring cleat	140-11-260-00
Alignment corner	180-20-010-03



P140	
Sash	
External perimeter	241 mm
Primary perimeter	76 mm
Moment of inertia x-x	4,36 cm ⁴
Moment of inertia y-y	6,27 cm ⁴
Weight	675 gr/m
Crimp nail cleat	113-11-266-00
Cast spring cleat	140-11-260-00
Alignment corner	180-20-010-03

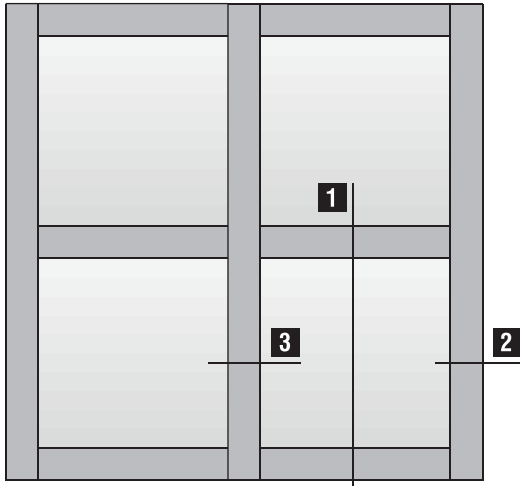


P132	
Inner partition mullion	
External perimeter	295 mm
Primary perimeter	71 mm
Moment of inertia x-x	20,01 cm ⁴
Moment of inertia y-y	6,06 cm ⁴
Weight	1179 gr/m
Aluminium transom-mullion cleat	160-10-001-00 160-11-218-91

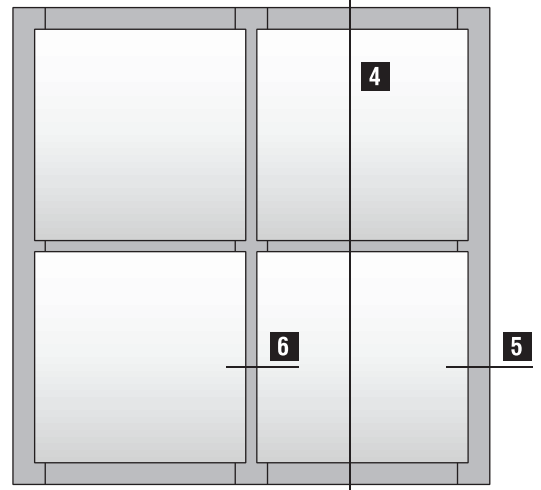


P139	
Beauty cap	
External perimeter	388 mm
Primary perimeter	188 mm
Moment of inertia x-x	1,71 cm ⁴
Moment of inertia y-y	35,64 cm ⁴
Weight	834 gr/m

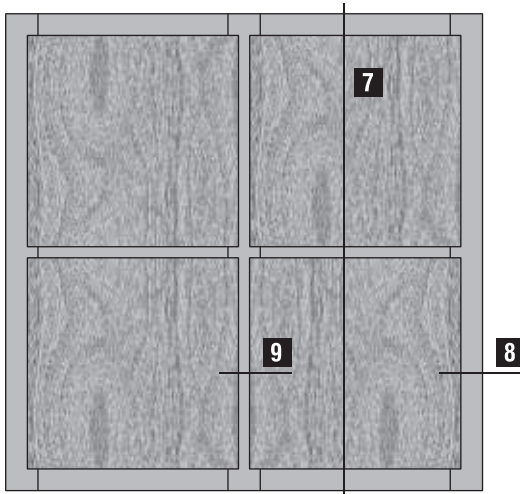
Basic construction



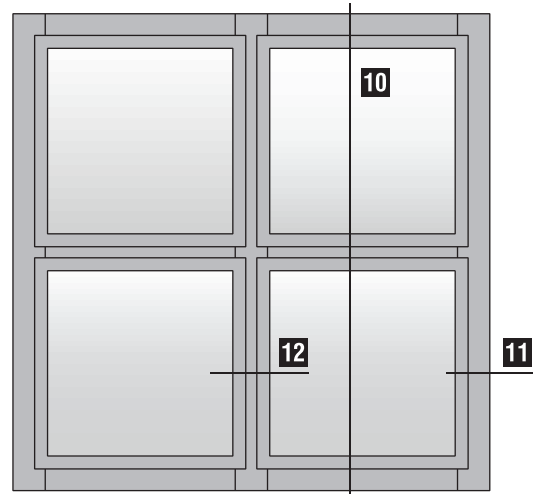
STRUCTURAL

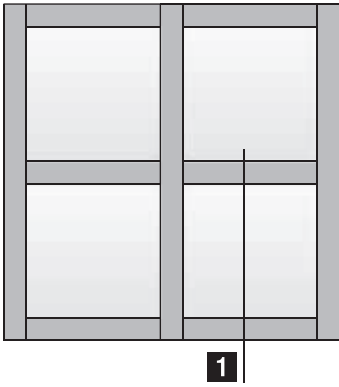


STRUCTURAL with wood

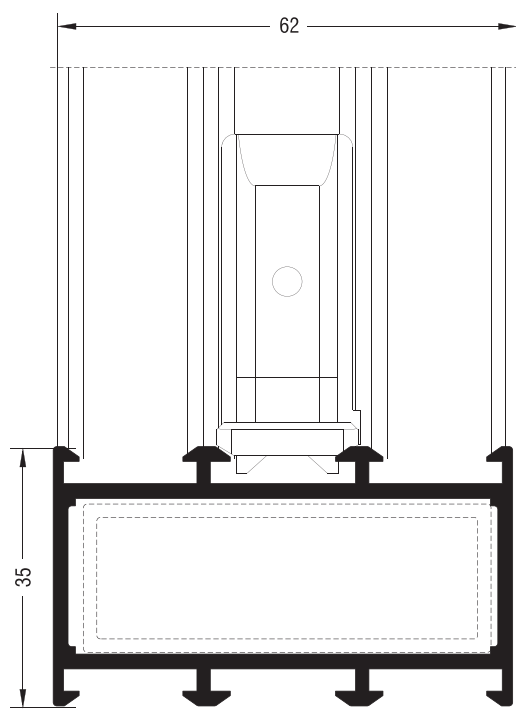
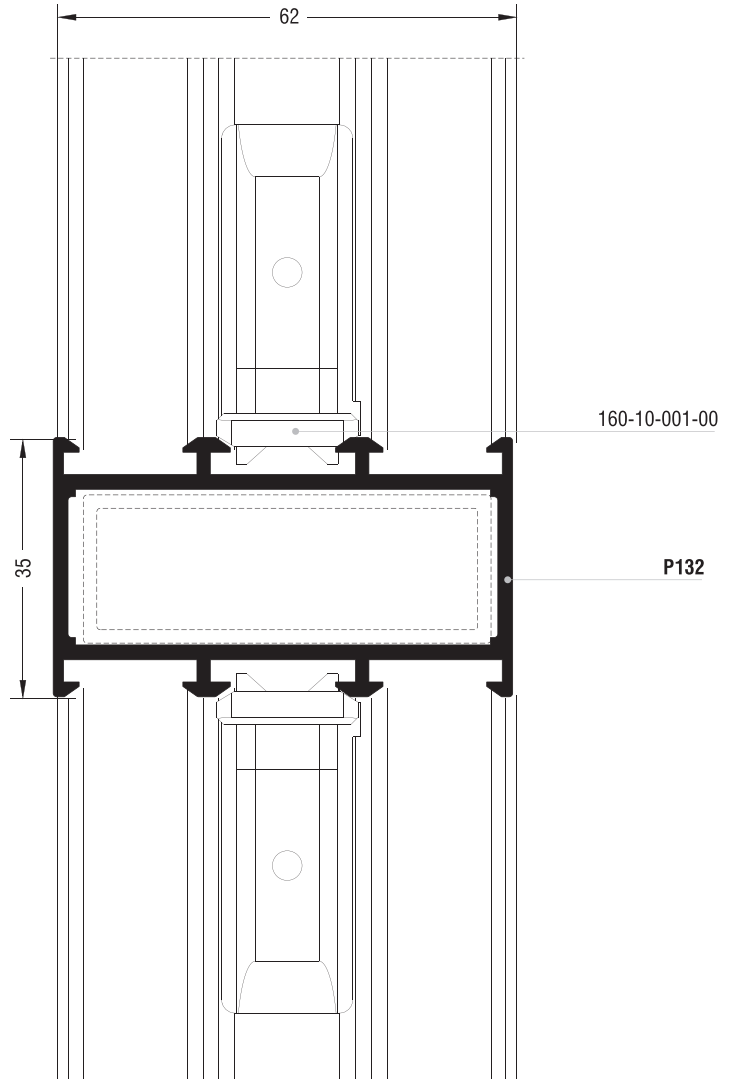


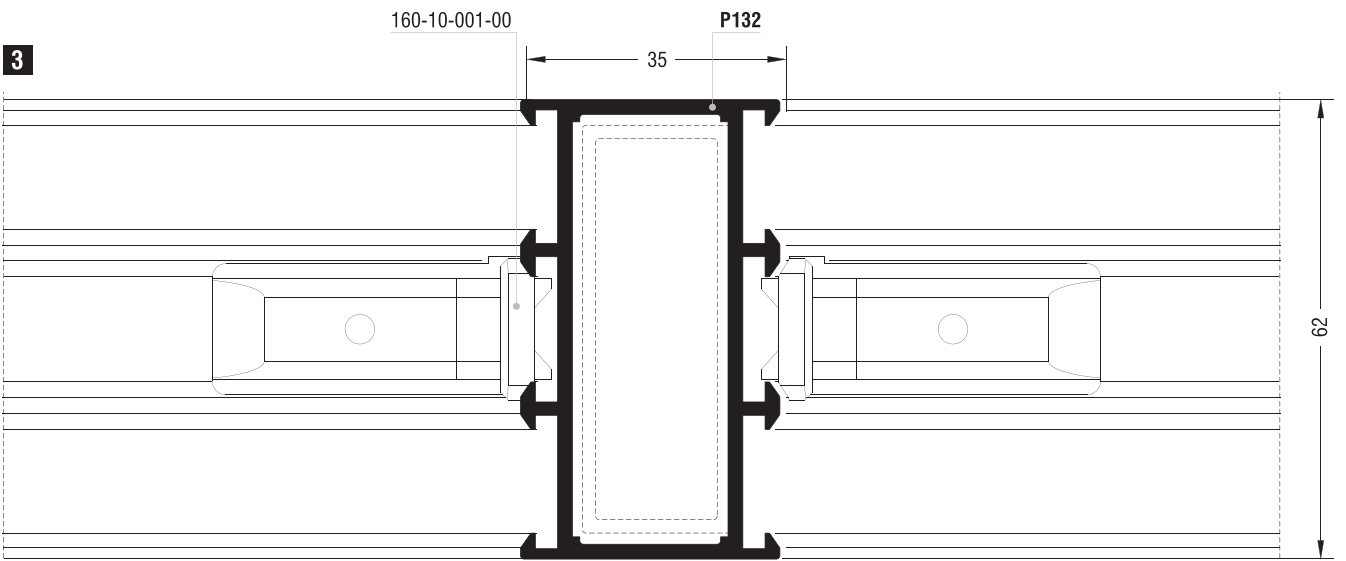
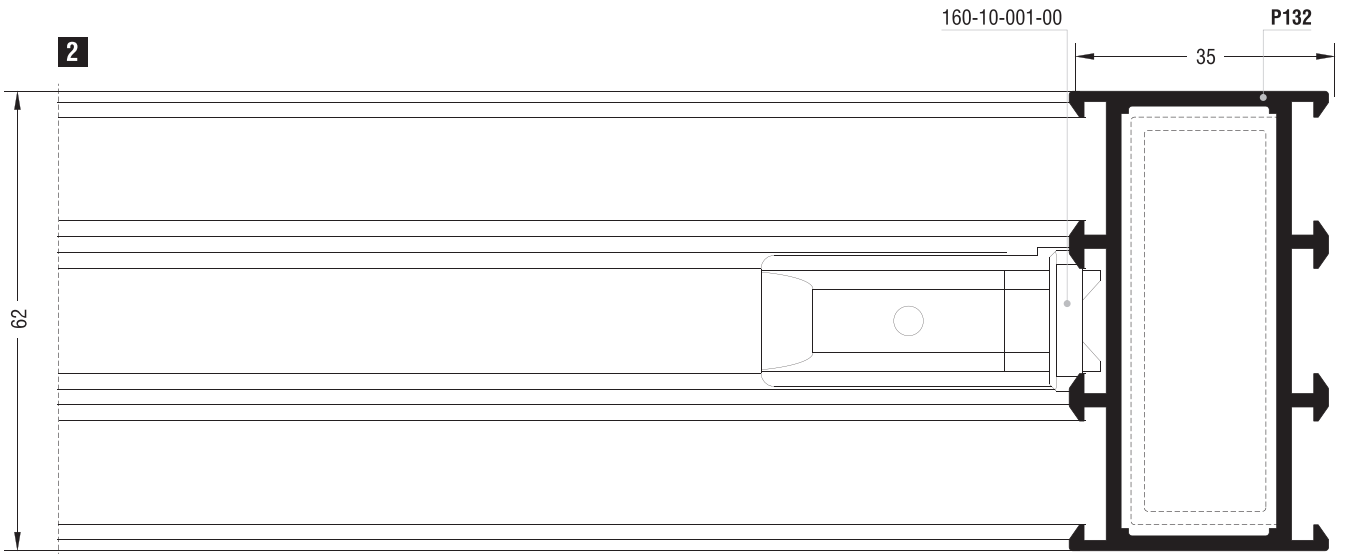
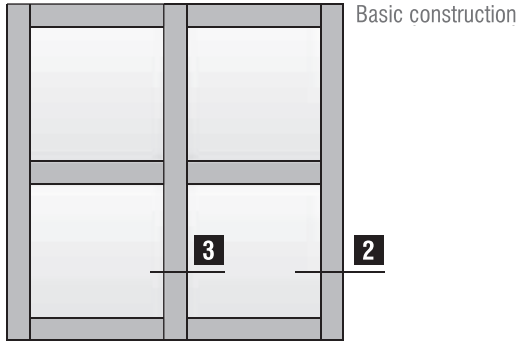
SEMI STRUCTURAL

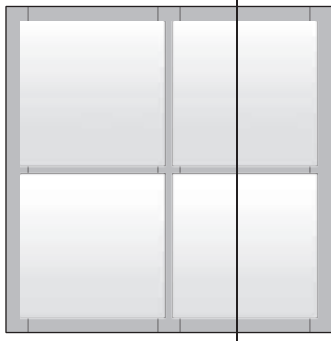




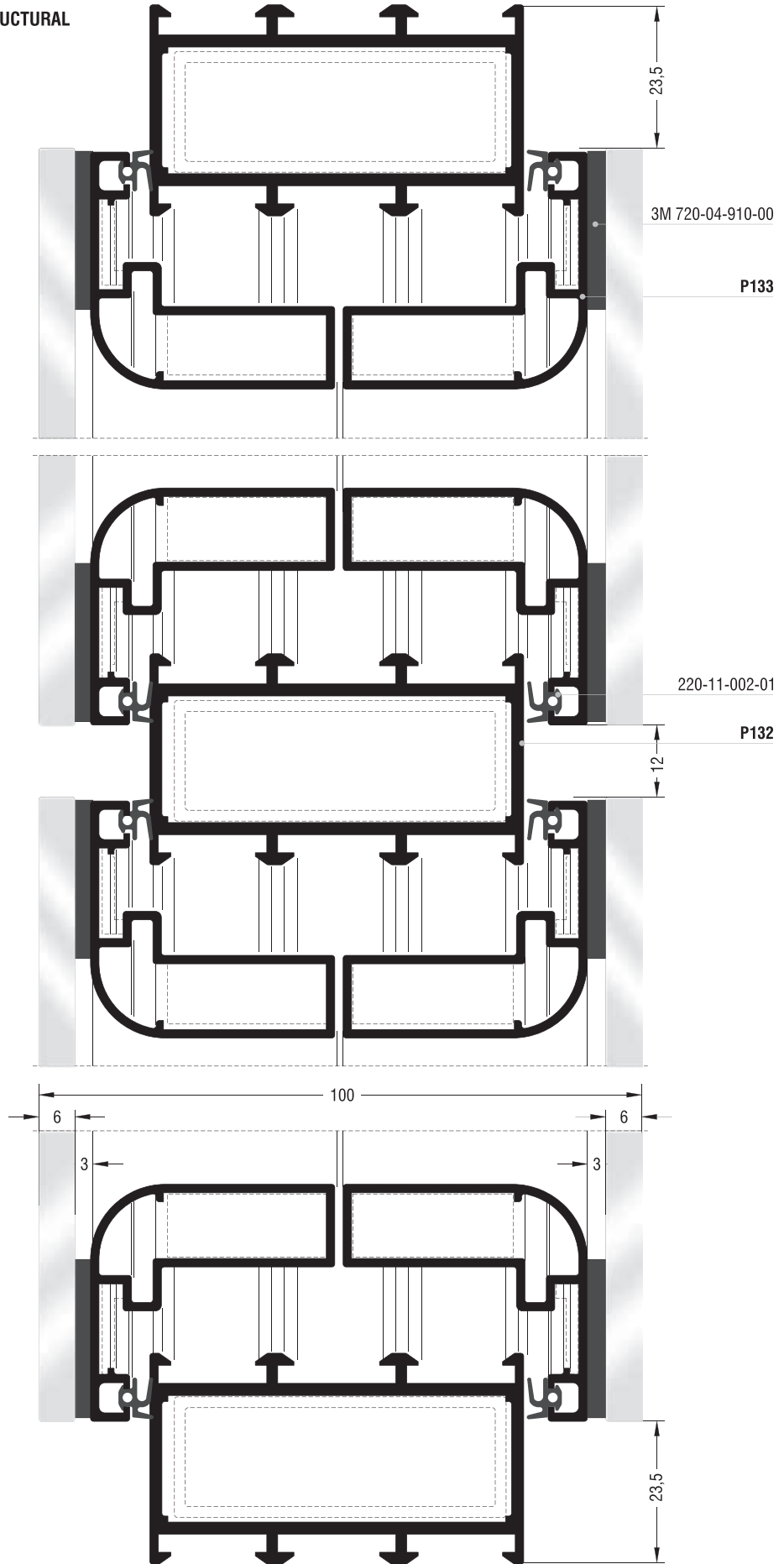
Basic construction

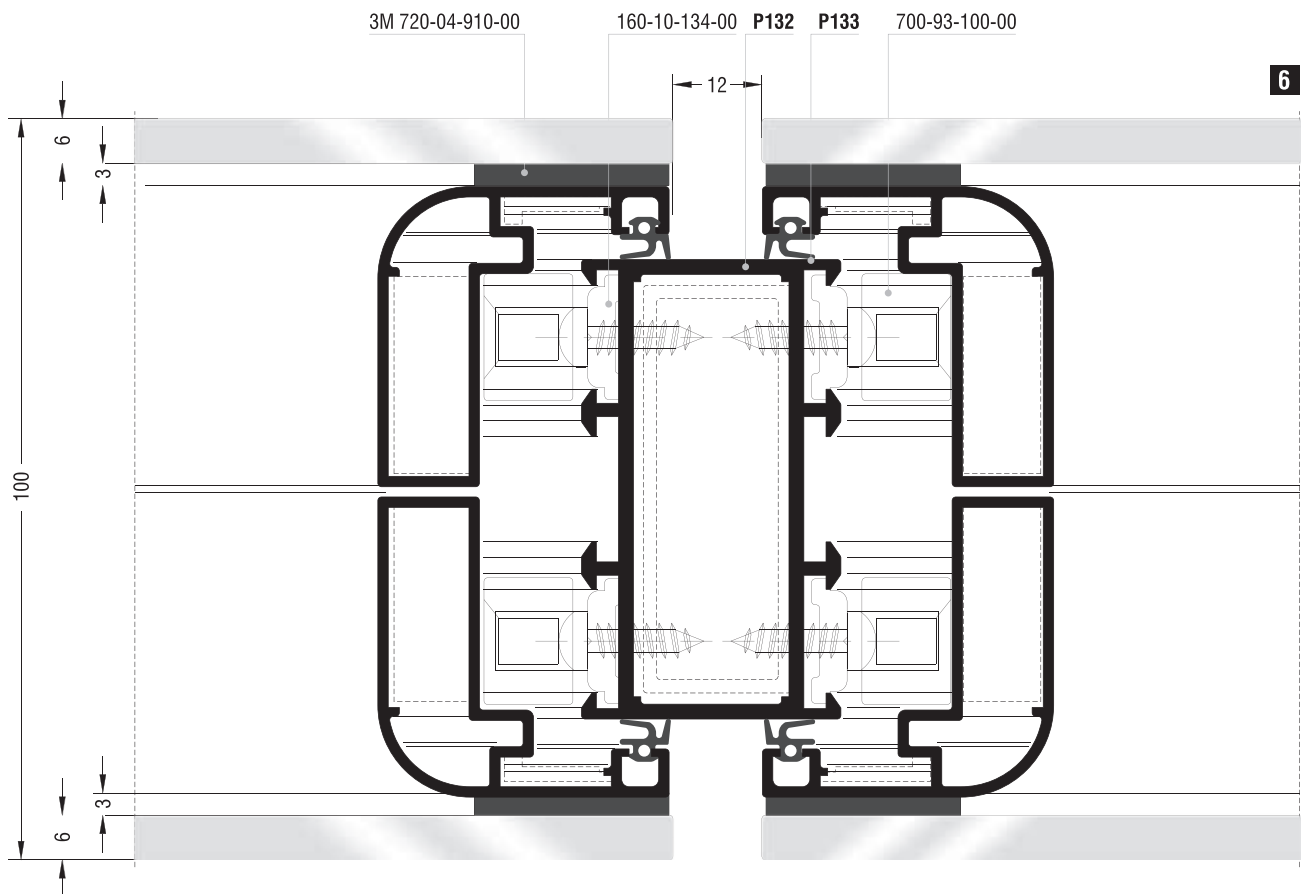
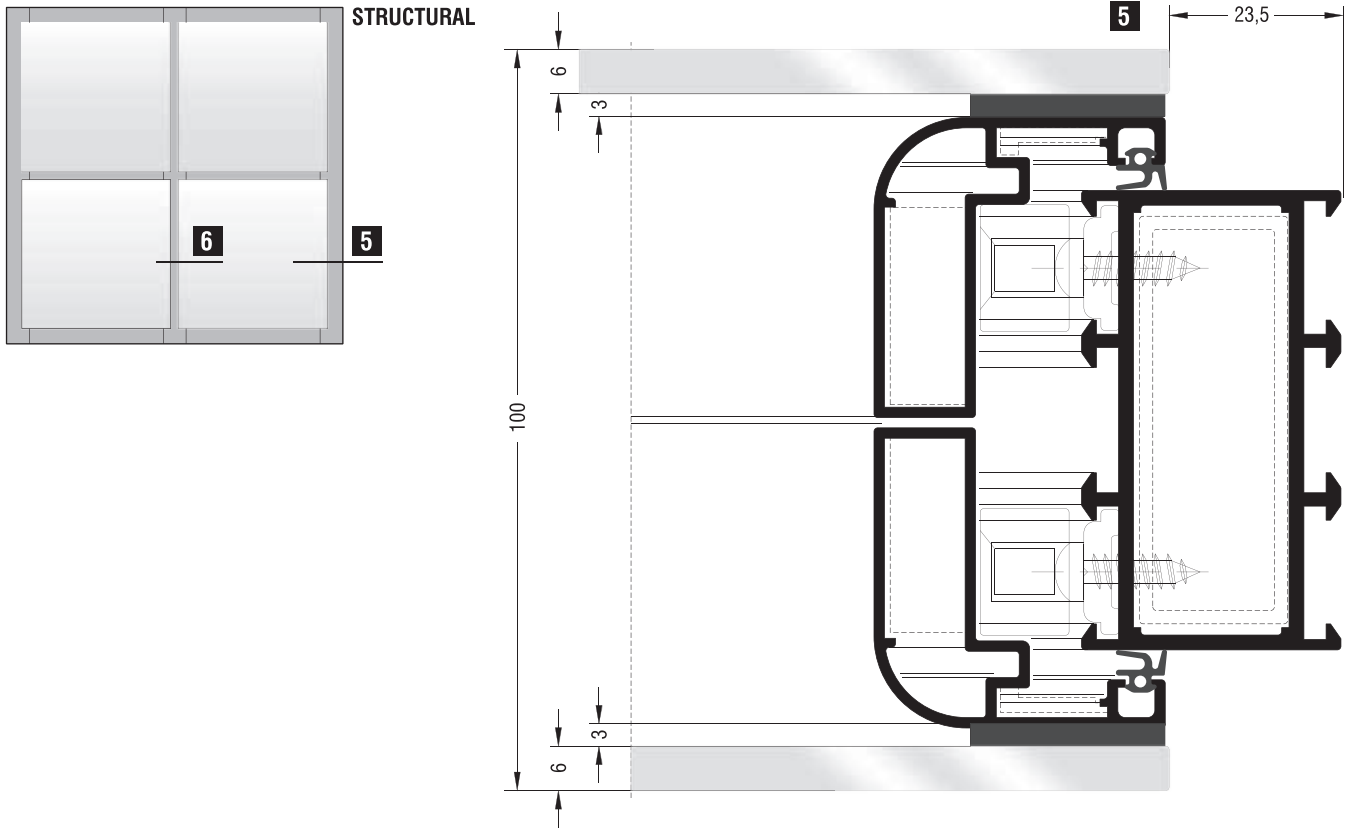


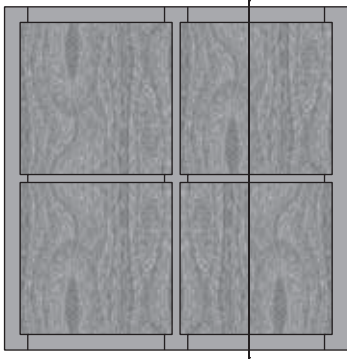




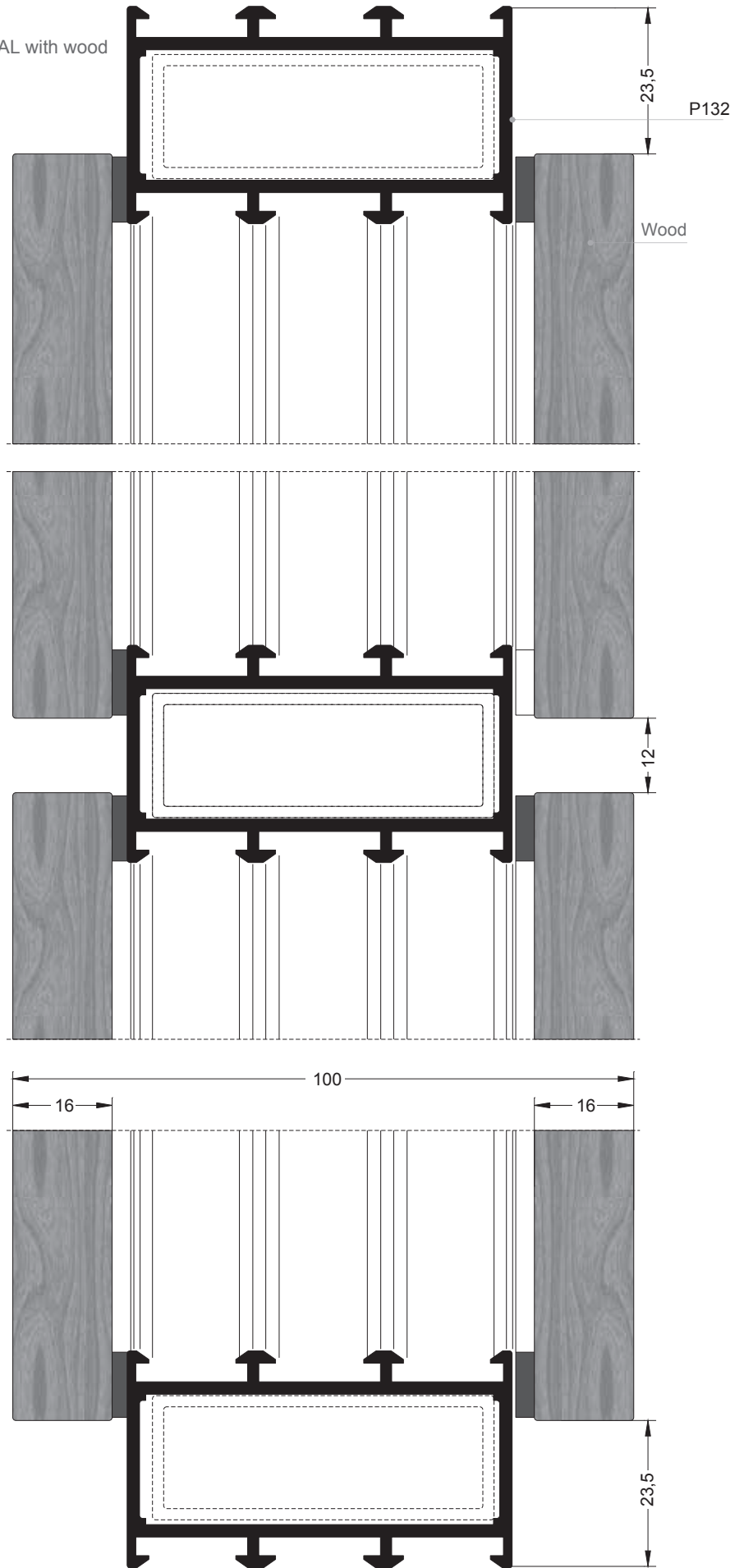
STRUCTURAL

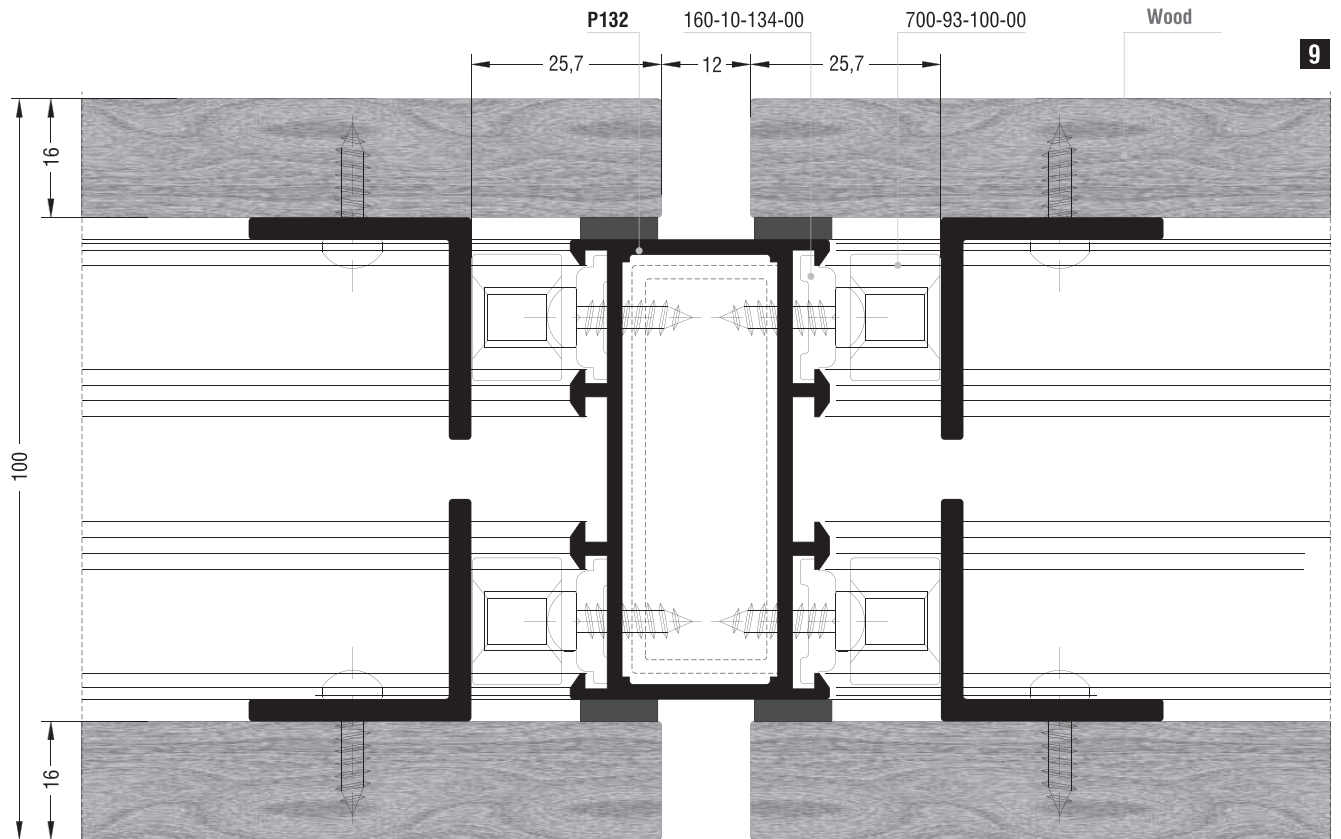
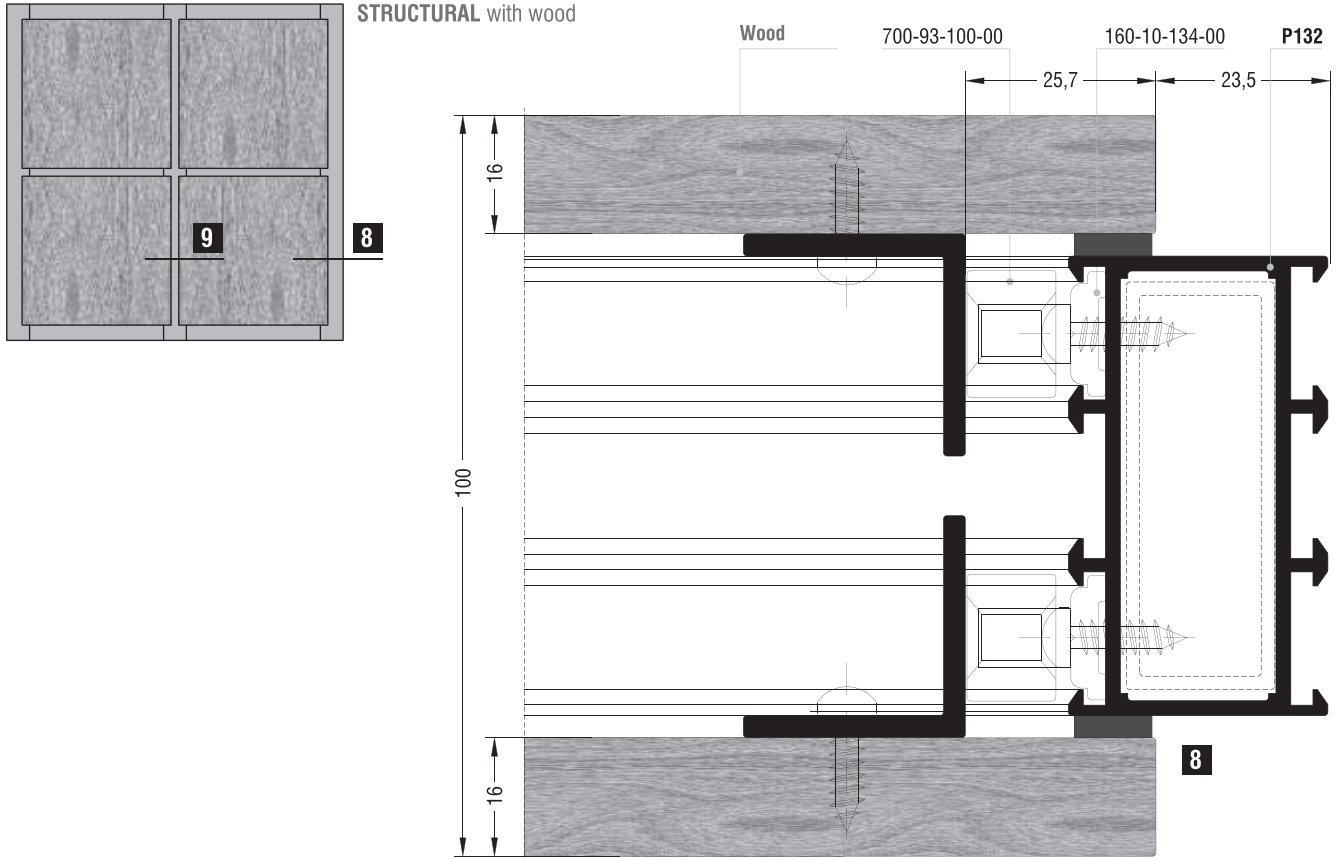


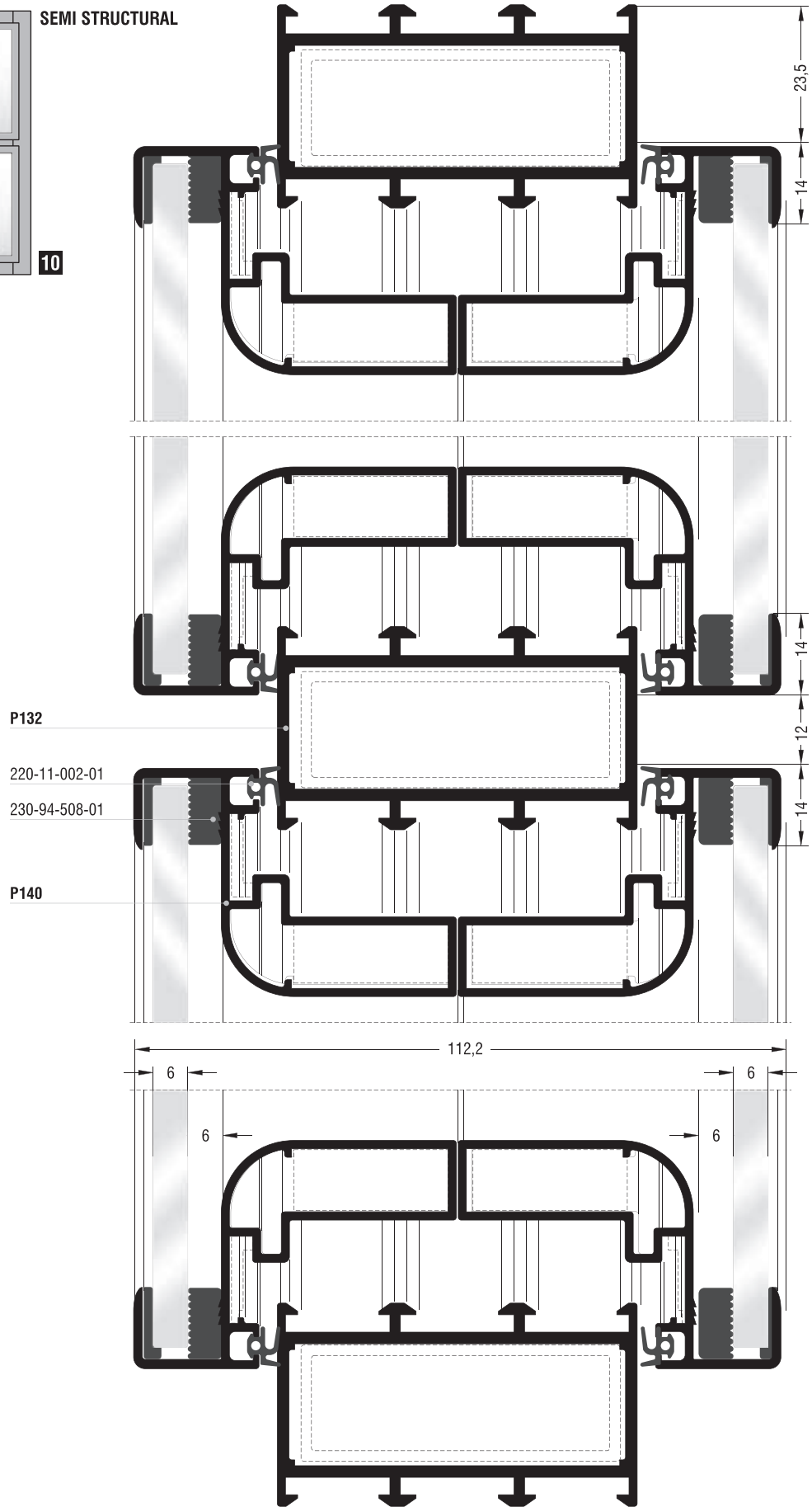
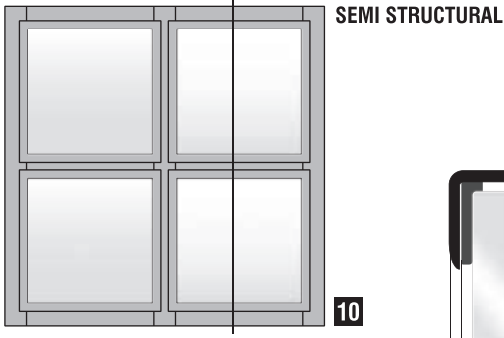


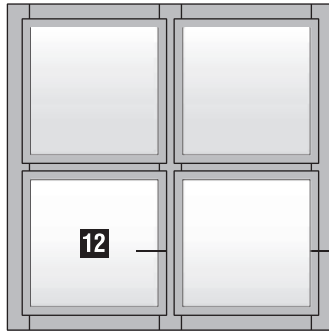


STRUCTURAL with wood

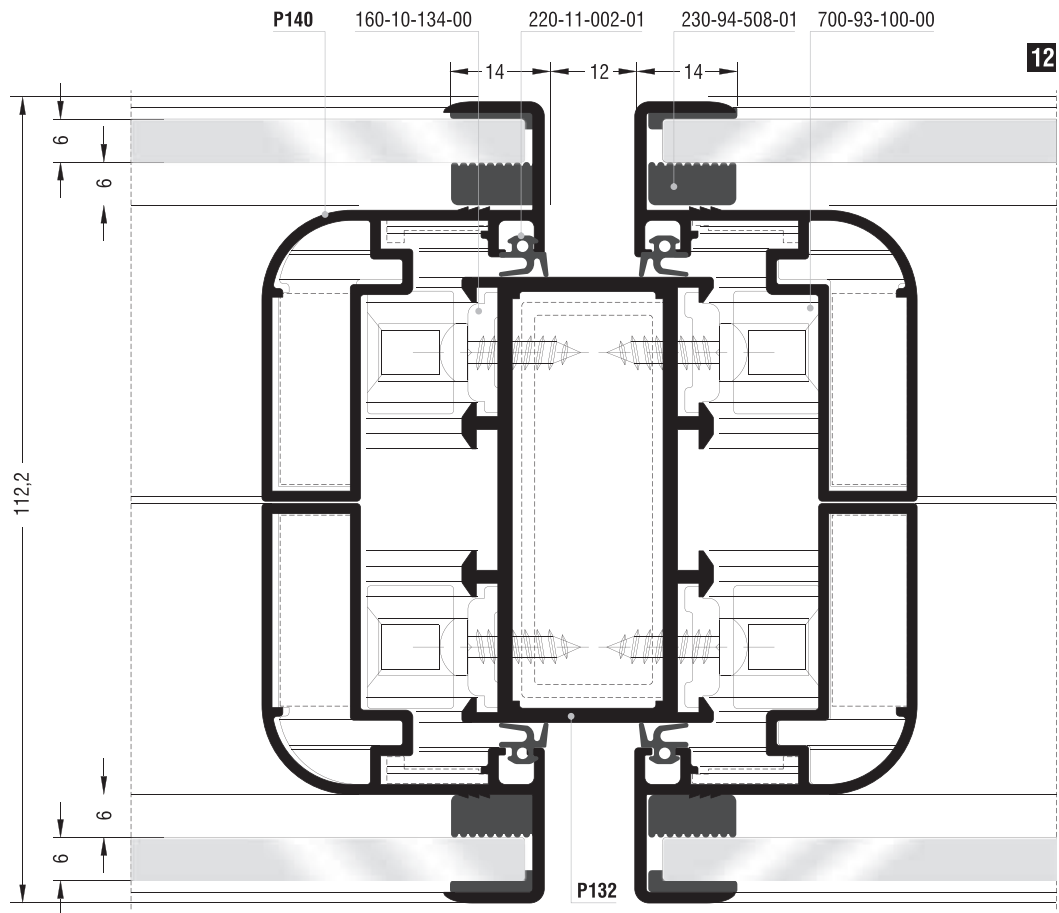
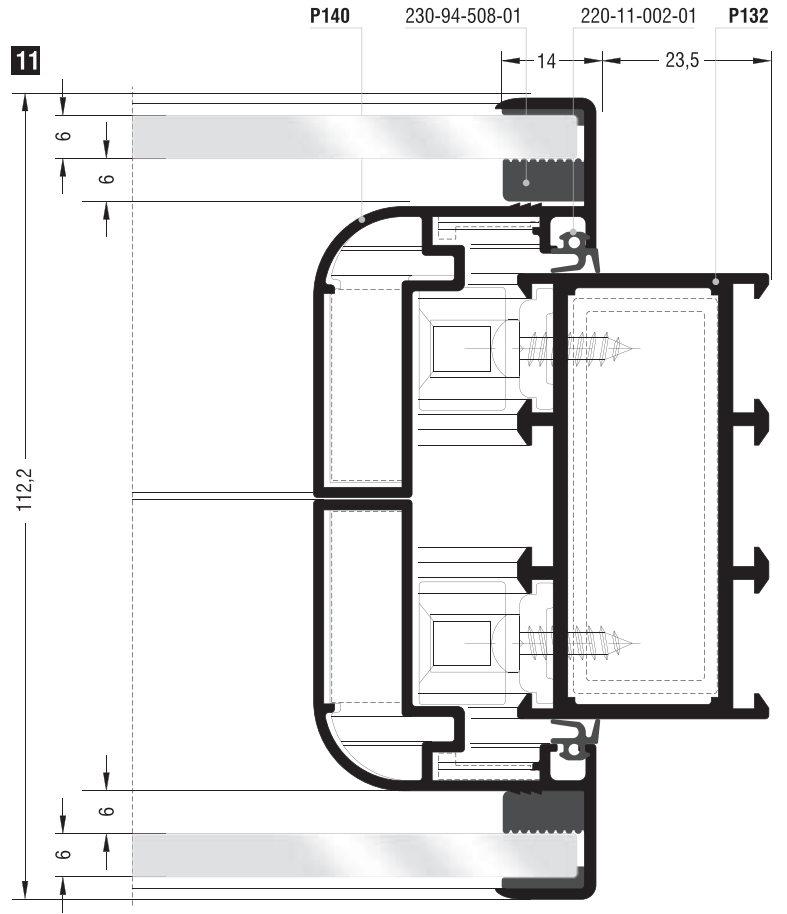




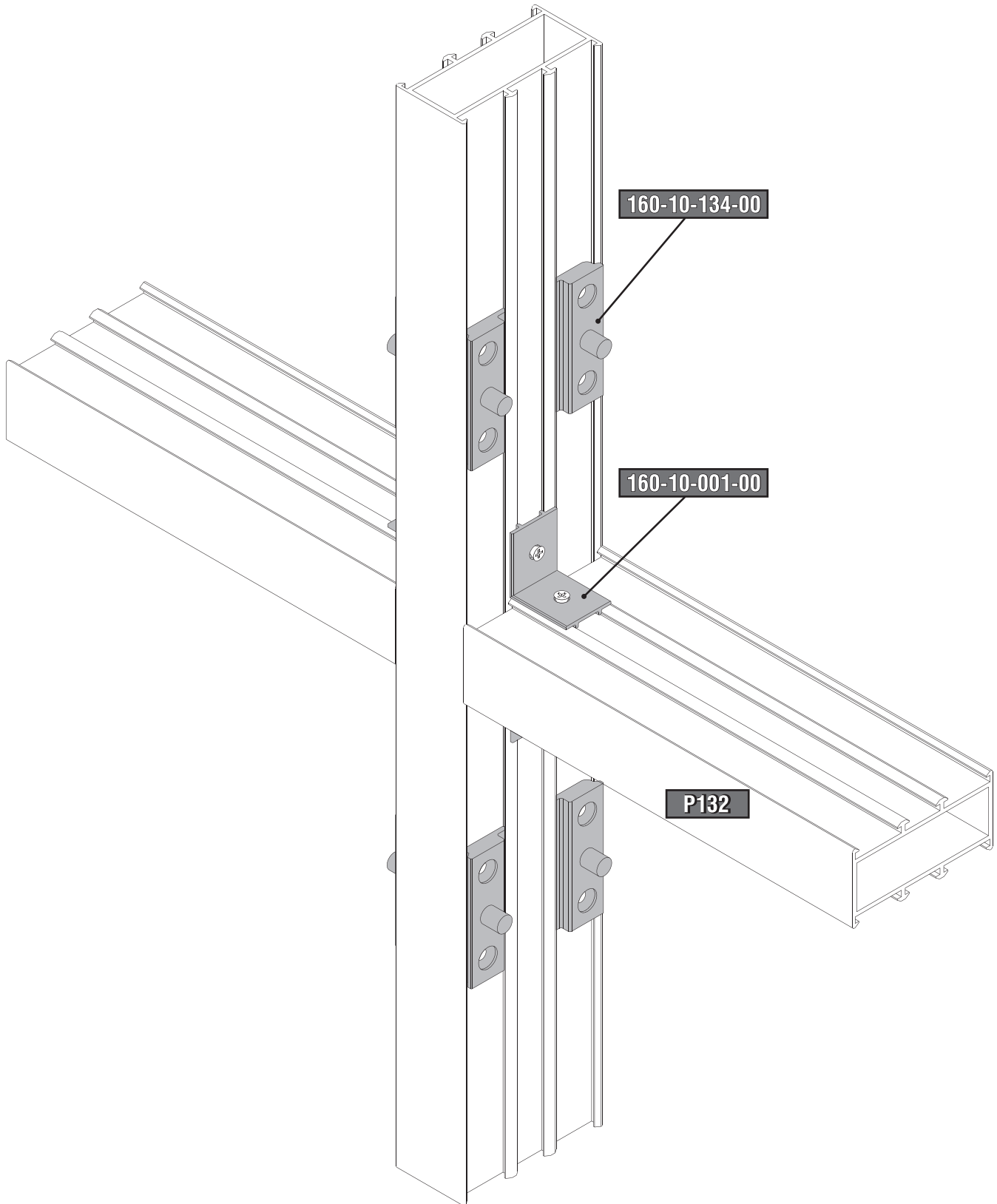




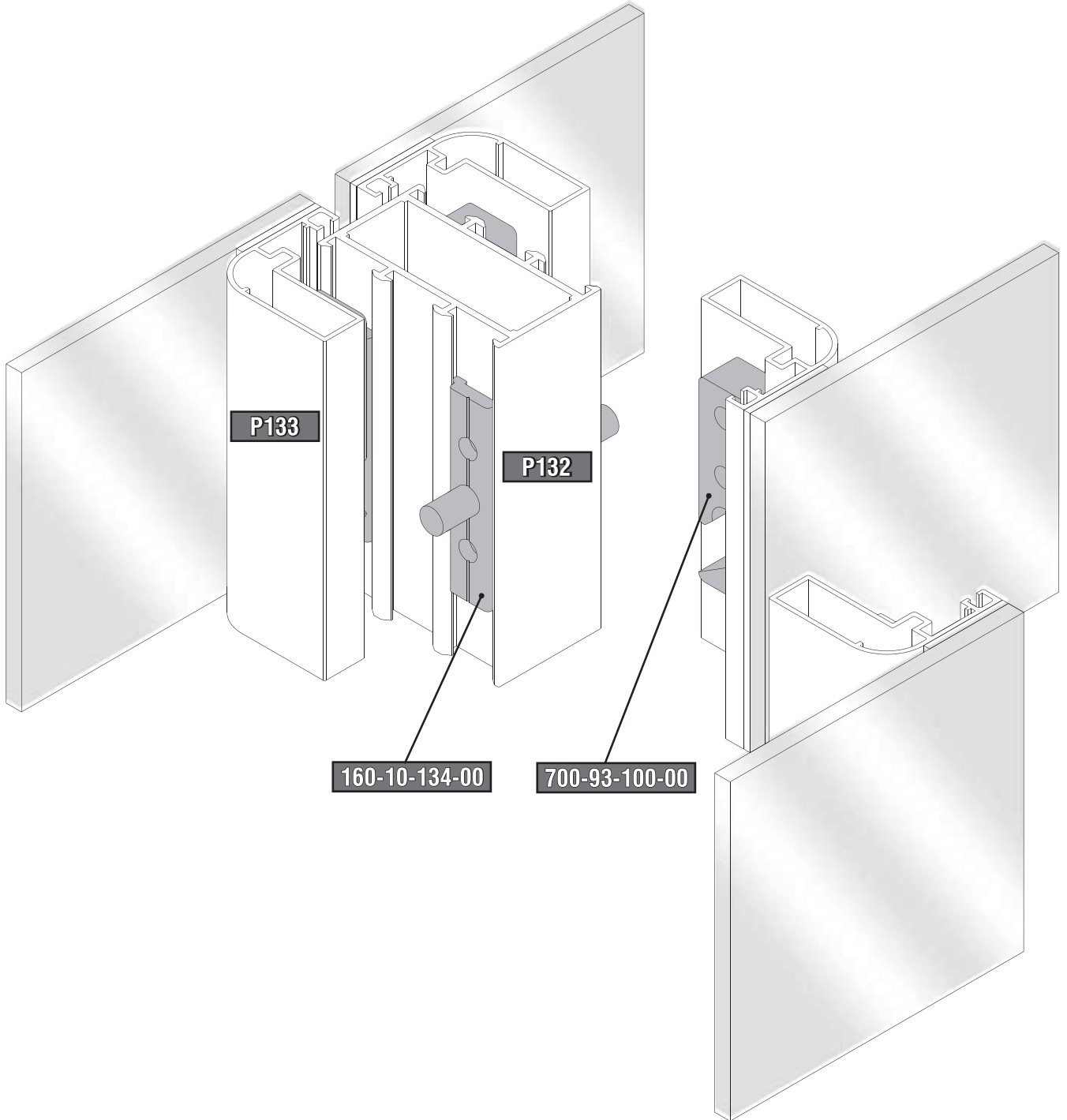
SEMI STRUCTURAL



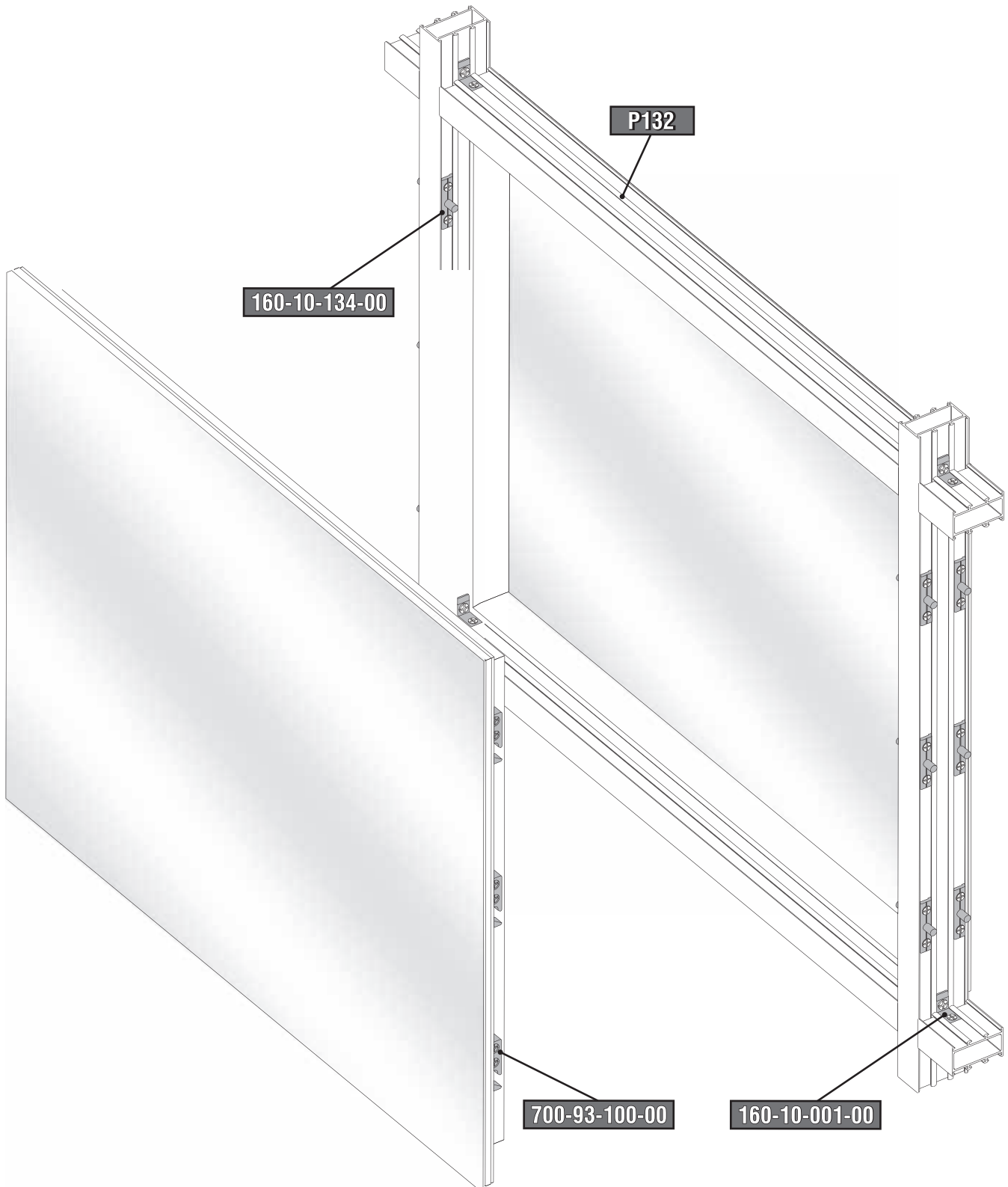
Aluminum cleat & support accessories installation



Aluminum cleat & support accessories installation




Aluminum cleat & support accessories installation



113-11-266-00

Aluminium Piece



Crimp nail cleat

113-33-554-00


Aluminium Piece



Crimp nail cleat

113-43-345-00


Aluminium Piece



Crimp nail cleat

113-57-332-00


Aluminium Piece



Crimp nail cleat

125-33-554-00


Aluminium Piece



Spring cleat

125-43-345-00

Aluminium Piece



Spring cleat

140-11-260-00


Aluminium Piece



Cast spring cleat

140-11-270-00

Aluminium Piece



Cast spring cleat

160-10-001-00


Aluminium Piece



Aluminium transom-mullion cleat

160-10-060-00

Cast aluminium Piece



Cast transom-mullion cleat

160-10-134-00

Aluminium Piece



P200 Office Structural
Support accessorie

700-93-100-00

Steel Piece



P200 Office Structural
Hook connector

160-11-218-91


Aluminium Piece



Aluminium transom-mullion cleat

180-20-010-03 Black

Polyamide Piece



Alignment corner

300-00-064-00 Right

Polyamide Black Pair



End cap for M0064 sash inversion profile

300-00-064-10 Left

Polyamide Black Pair



End cap for M0064 sash inversion profile

**310-00-126-02 White
310-00-126-03 Black
310-00-126-04 Grey**

Polyamide Piece



End cap for P126 mullion

**310-00-127-02 White
310-00-127-03 Black
310-00-127-04 Grey**

Polyamide Piece



End cap for P127 mullion

**310-00-128-02 White
310-00-128-03 Black
310-00-128-04 Grey**

Polyamide Piece



End cap for P128 mullion

**310-00-129-02 White
310-00-129-03 Black
310-00-129-04 Grey**

Polyamide Piece



End cap for P129 mullion

**310-10-020-02 White
310-10-020-03 Black
310-10-020-04 Grey
310-10-020-43 Beige**

Polyamide Piece



End cap for T35 mullion

**310-10-030-02 White
310-10-030-03 Black
310-10-030-04 Grey
310-10-030-43 Beige**

Polyamide Piece



End cap for P110 mullion

**310-10-040-02 White
310-10-040-03 Black
310-10-040-04 Grey
310-10-040-43 Beige**

Polyamide Piece



End cap for P100 core

**350-32-802-00 Mill finish
350-32-802-02 White
350-32-802-03 Black**

Aluminium Piece



Hinge

350-32-811-00 Mill finish
350-32-811-02 White
350-32-811-03 Black

Aluminium Piece



Hinge

474-03-722-03 Black

Polyamide Piece



Latch

455-05-020-02 White
455-05-020-03 Black
455-05-020-09 Silver


Aluminium Piece



Handle

720-04-910-00


Meters



self-adhesive tape 25mm x 1,13mm x 33m

767-00-304-01 Black


EPDM Meters



Gasket for M0064 sash inversion profile

767-00-602-01 Black

EPDM Meters



Door gasket

220-11-002-01 Black


EPDM Meters



Seal gasket

220-60-002-01 Black


EPDM Meters



Seal gasket

220-61-000-01 Black

PVC Meters



Gasket

230-94-505-01 (5mm) Black
230-94-508-01 (8mm) Black


EPDM Meters




Glazing gasket

200-08-002-01 (2mm) Black
200-00-202-03 (2mm) Black
200-08-003-01 (3mm) Black
200-00-203-03 (3mm) Black
200-08-004-01 (4mm) Black
200-00-204-03 (4mm) Black
200-08-005-01 (5mm) Black
200-00-205-03 (5mm) Black
200-08-006-01 (6mm) Black
200-00-206-03 (6mm) Black
200-08-007-01 (7mm) Black
200-00-207-03 (7mm) Black
200-08-008-01 (8mm) Black
200-00-208-03 (8mm) Black
200-08-010-01 (10mm) Black
200-00-210-03 (10mm) Black


Meters




Inner glazing gasket

200-04-023-01 (2-4mm) Black 200-04-045-01 (4-6mm) Black 200-04-067-01 (6-8mm) Black	
EPDM	Meters
	
Inner glazing gasket	

200-06-860-01 Black 200-06-860-12 Grey	
EPDM	Meters
	
Outer glazing gasket	

620-03-406-03 Black 620-03-406-04 Grey 620-03-407-03 Black 620-03-407-04 Grey	
Meters	
	
Brush with membrane	

620-69-104-04 (No4) Grey 620-69-105-03 (No5) Black 620-69-105-04 (No5) Grey 620-69-106-02 (No6) White 620-69-106-03 (No6) Black 620-69-106-04 (No6) Grey 620-69-107-03 (No7) Black 620-69-107-04 (No7) Grey 620-69-108-02 (No8) White 620-69-108-03 (No8) Black 620-69-108-04 (No8) Grey 620-69-100-02 (No10) White 620-69-100-03 (No10) Black 620-69-100-04 (No10) Grey

620-69-112-03 (No12) Black 620-69-112-04 (No12) Grey 620-69-118-02 (No18) White 620-69-118-03 (No18) Black 620-69-118-04 (No18) Grey	
Meters	
	
Simple brush	